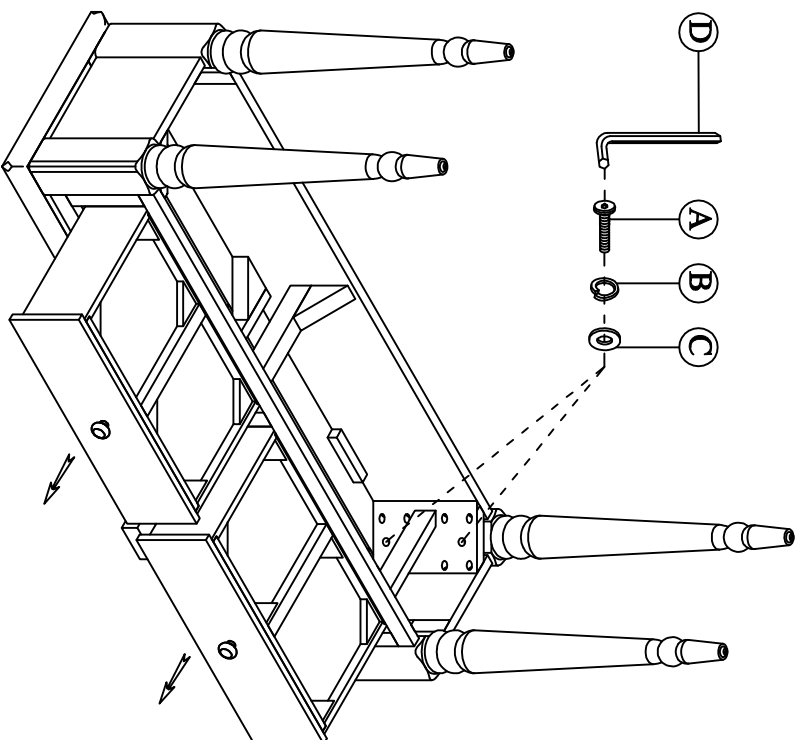
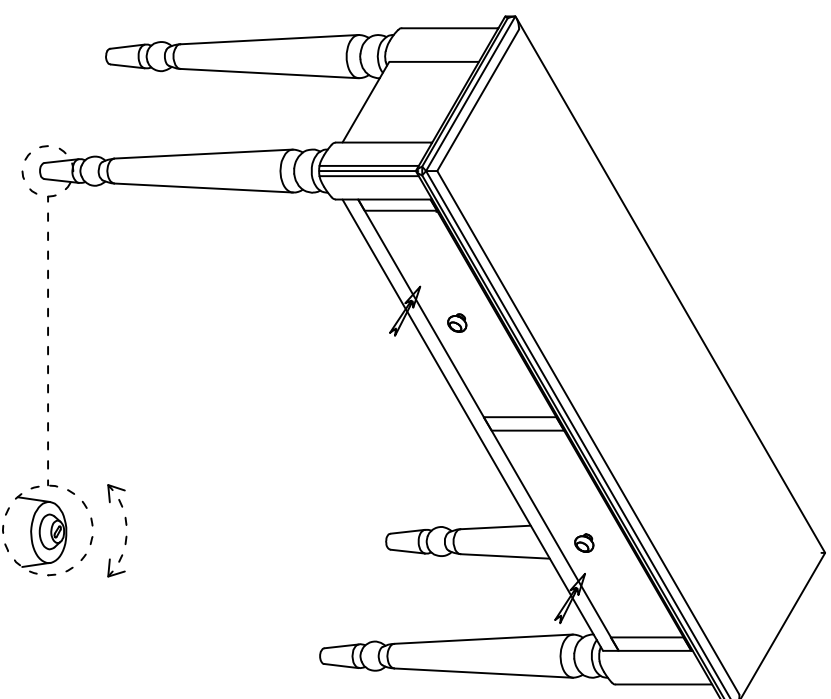


## Step 1

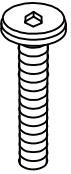

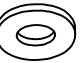
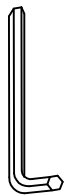


- During assembly, hand tighten bolts only.  
When the bolts are in place, tighten completely.  
Please **DO NOT** use power tool such as drill or electric screwdrivers which could cause irreparable damage to the product.

## Step 2



Please use the adjustable knobs to level the table

Parts List	A	B	C	D
				
	8 Pcs	8 Pcs	8 Pcs	1 Pc