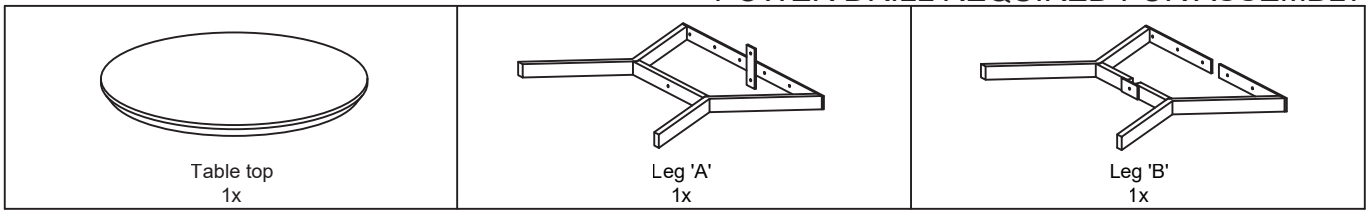


ASSEMBLY INSTRUCTIONS

BROMPTON ROUND DINING TABLE

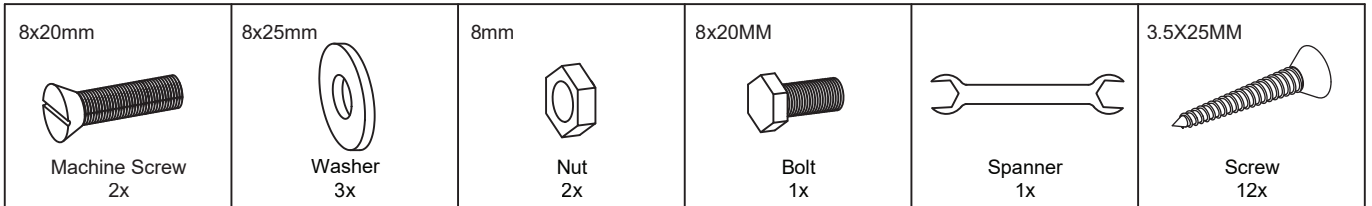
SKU: 90025947

COMPONENTS

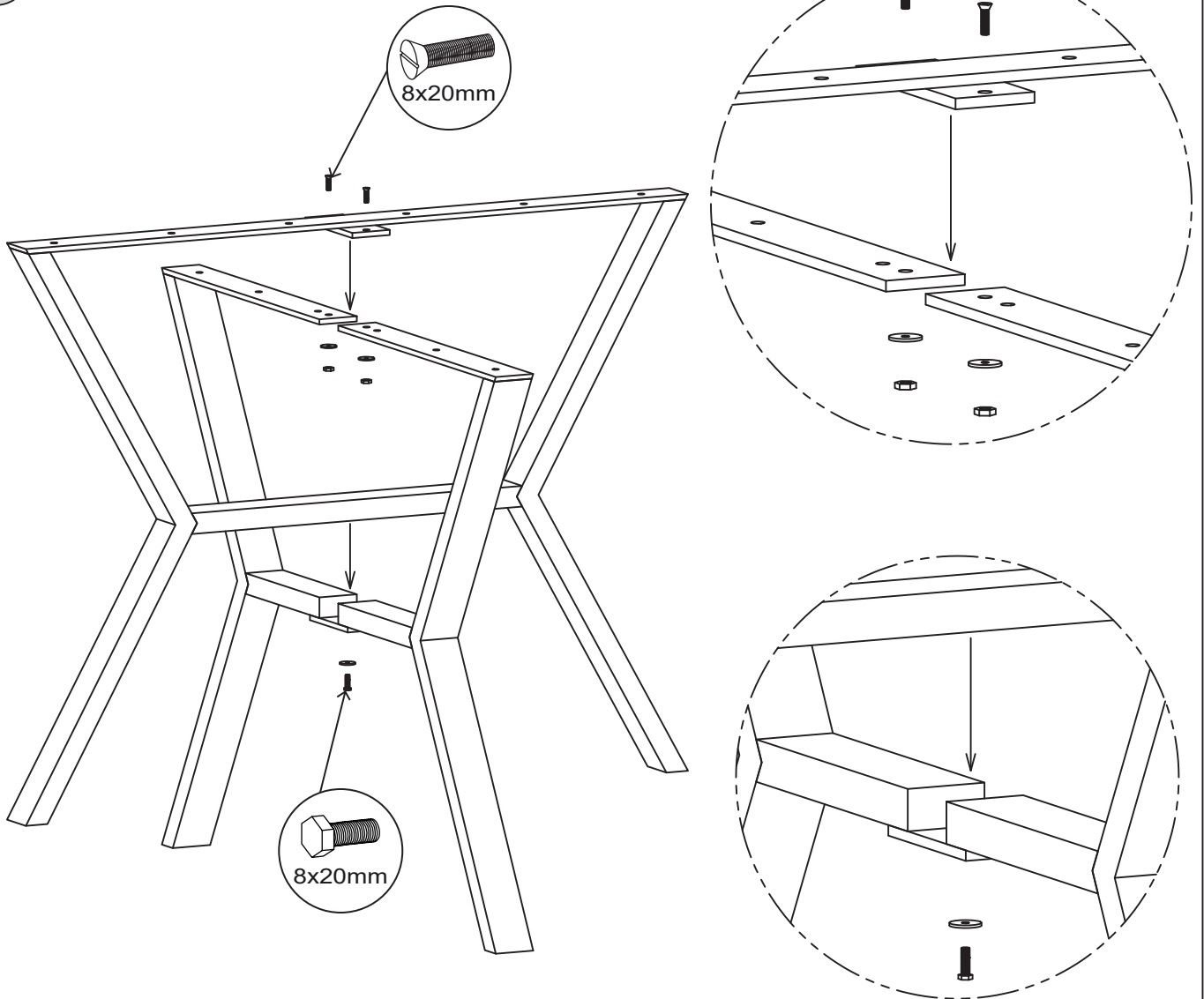


POWER DRILL REQUIRED FOR ASSEMBLY

HARDWARE & TOOLS

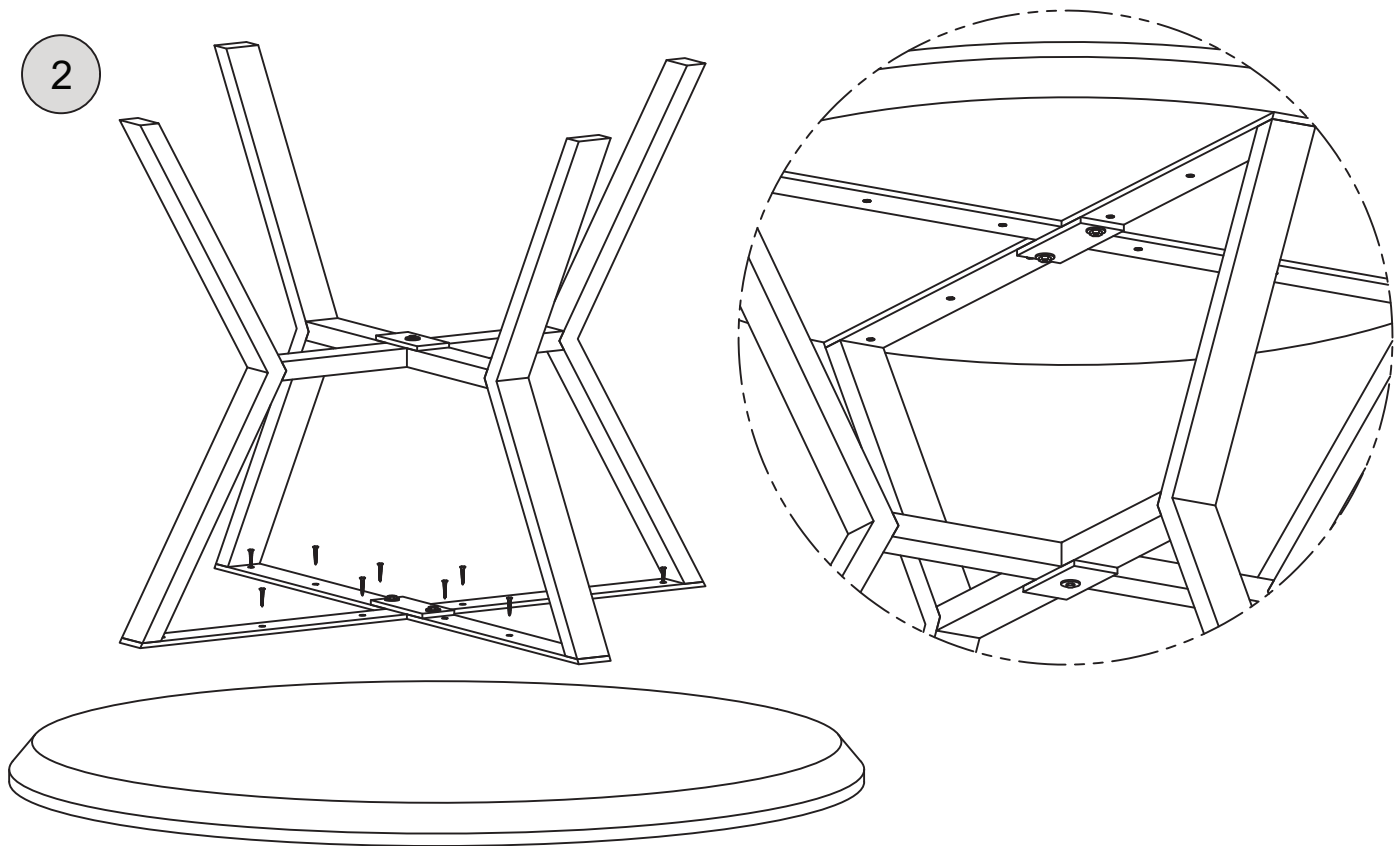


1



1. Align the leg 'A' and leg 'B' perpendicularly and insert the machine screws from top of the leg 'A' into leg 'B' and thigh with supplied washer and nut. Then tighten the bolt (with washer) from bottom of the leg 'B' into the leg 'A' and tighten with supplied spanner. As shown in above image.

2



2. Place the table top upside down position then put the metal base on top while keeping equal distance from all sides. Fix the top and base with supplied screws. As shown in above image.

3

