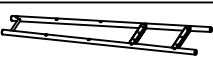




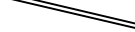
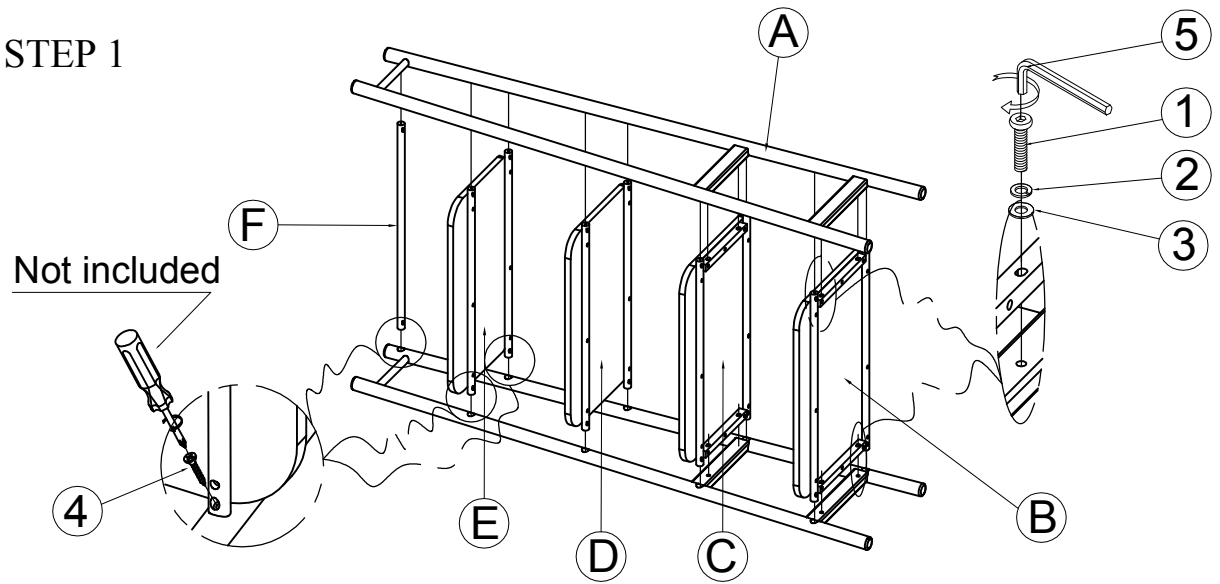


ASSEMBLY INSTRUCTION SPINTARA LADDER BOOKSELF




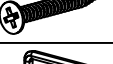

PARTS LIST

NO	DRAWING	DESCRIPTION	QTY
(A)		LEG FRAMES	2
(B)		BOTTOM SHELF 01 (450x670)	1
(C)		BOTTOM SHELF 02 (418x670)	1
(D)		MIDDLE SHELF (387x670)	1
(E)		TOP SHELF (356x670)	1
(F)		TOP RAIL	1

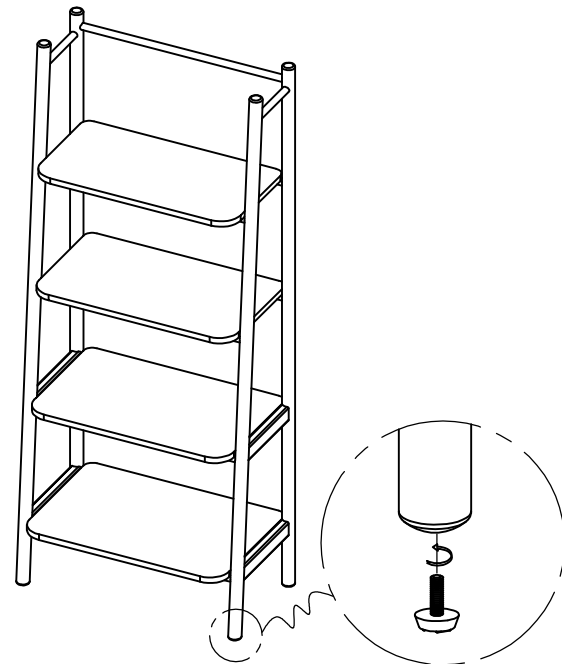
STEP 1



HARDWARE LIST

NO	DRAWING	DESCRIPTION	QTY
(1)		BOLT	8
(2)		LOCK WASHER	8
(3)		WASHER	8
(4)		SCREWS	18
(5)		ALLEN KEY	1

FINISH



Adjustable Leveler

WARNING



Children have died from furniture tipover.

- ALWAYS secure this furniture with an anchor device.
- NEVER allow children to stand, climb or hang on drawers, doors, or shelves.
- NEVER open more than one drawer at a time.
- Place heavy items down low.

NEVER put a TV on this furniture

