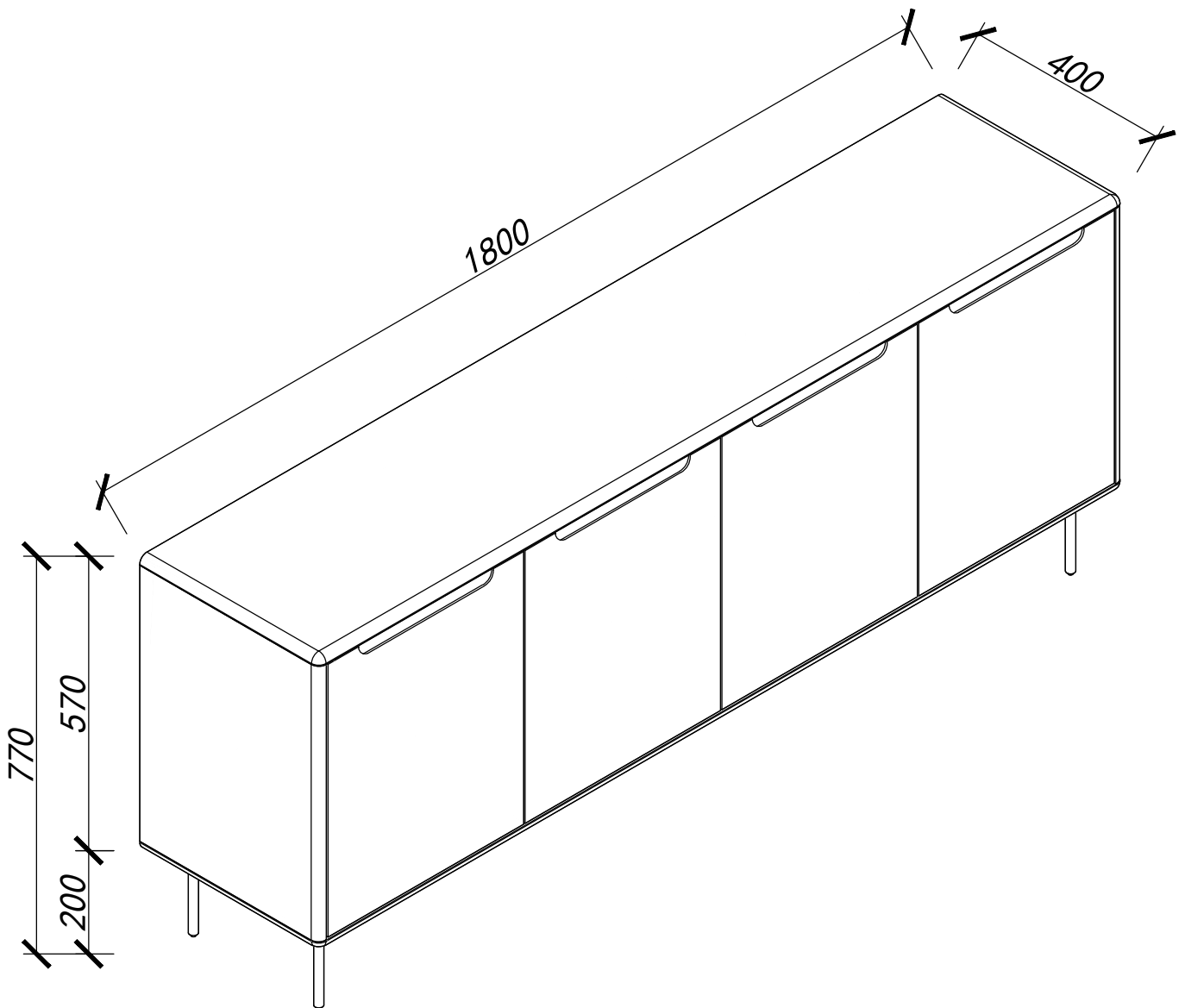
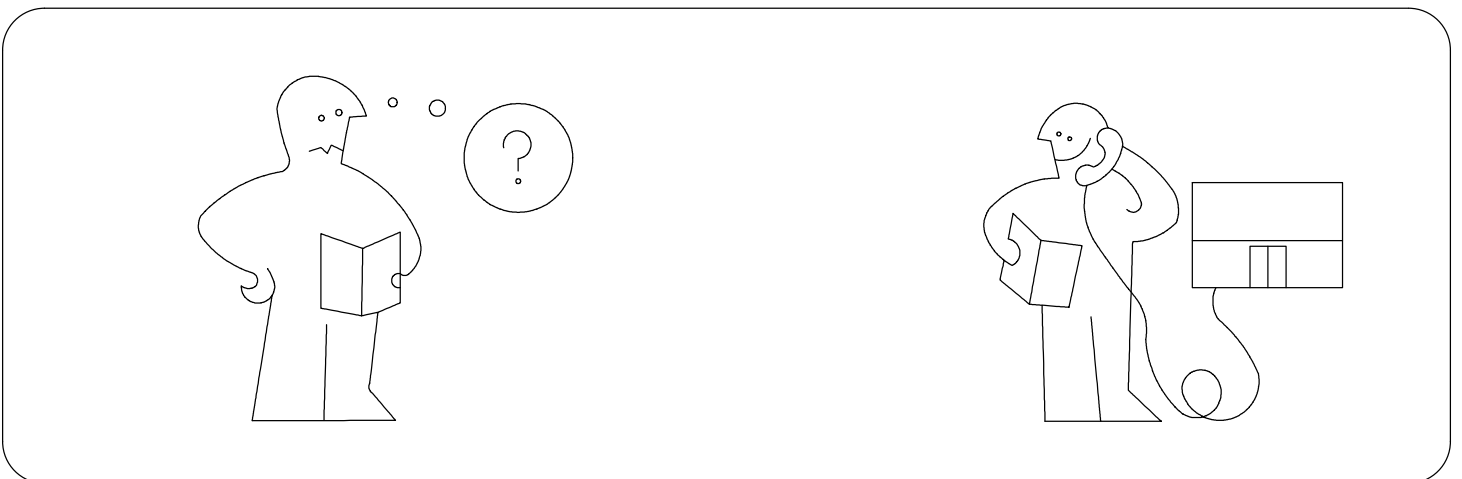
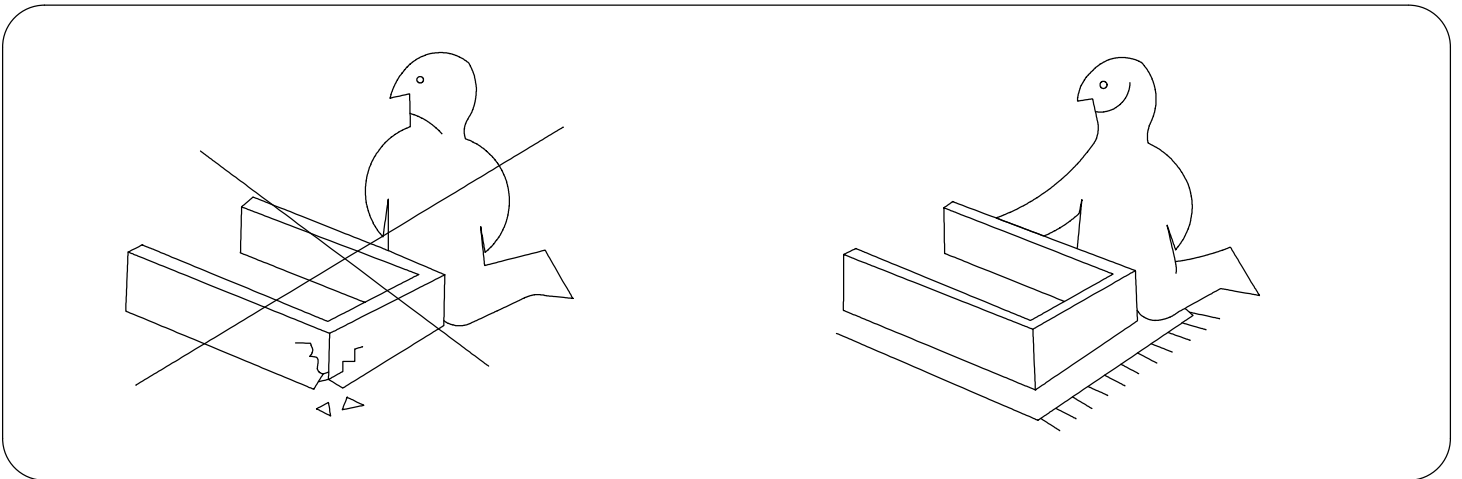
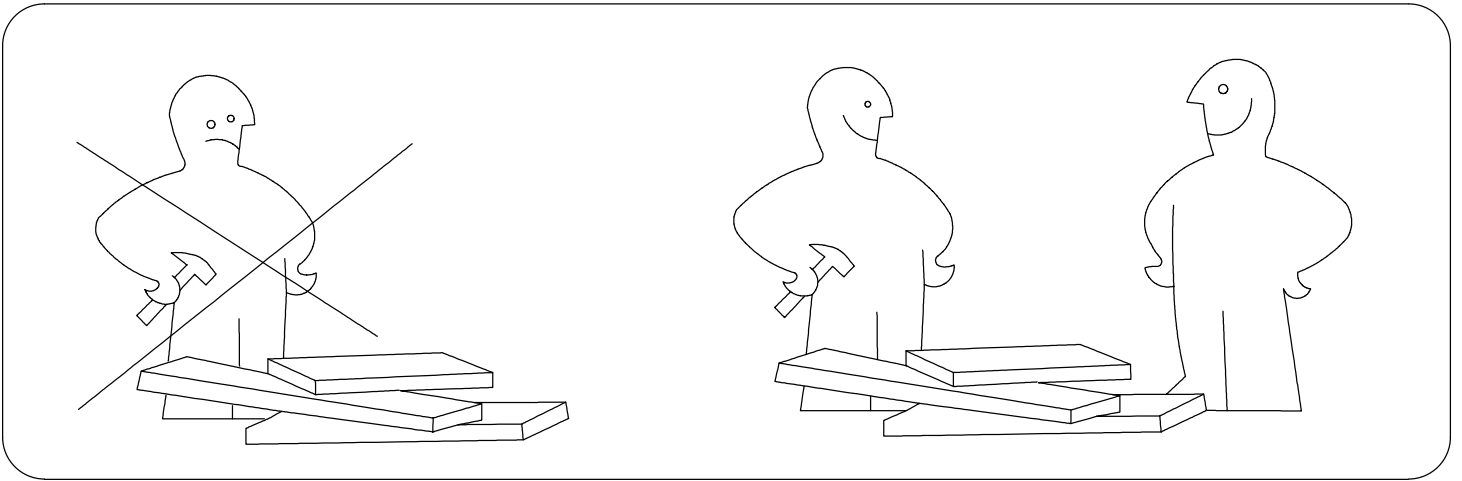
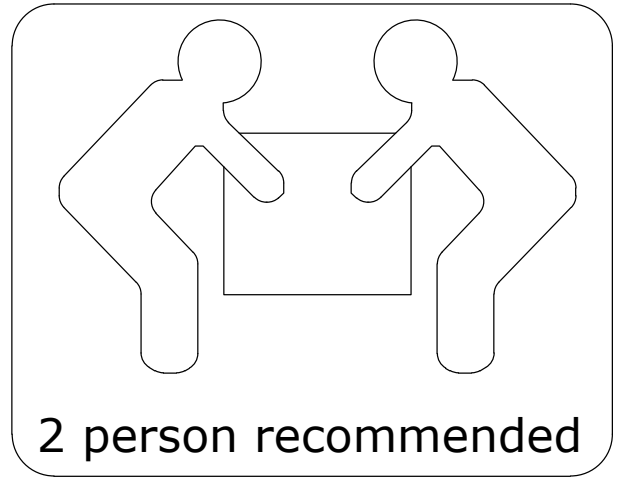
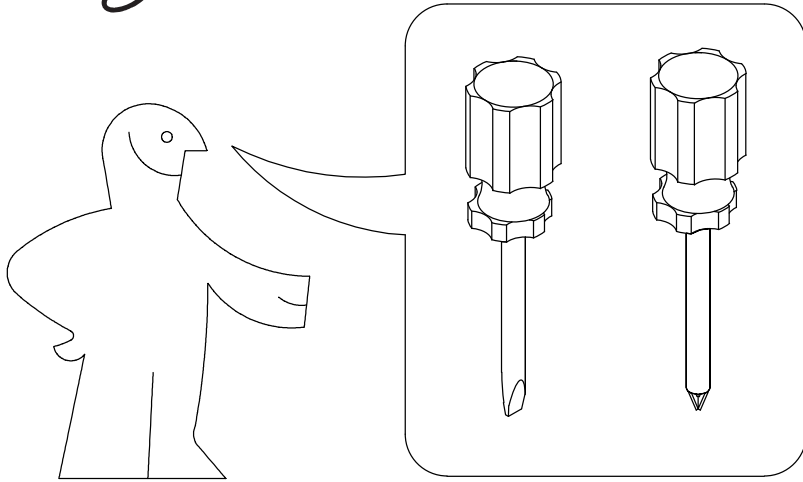


# Assembly Instruction

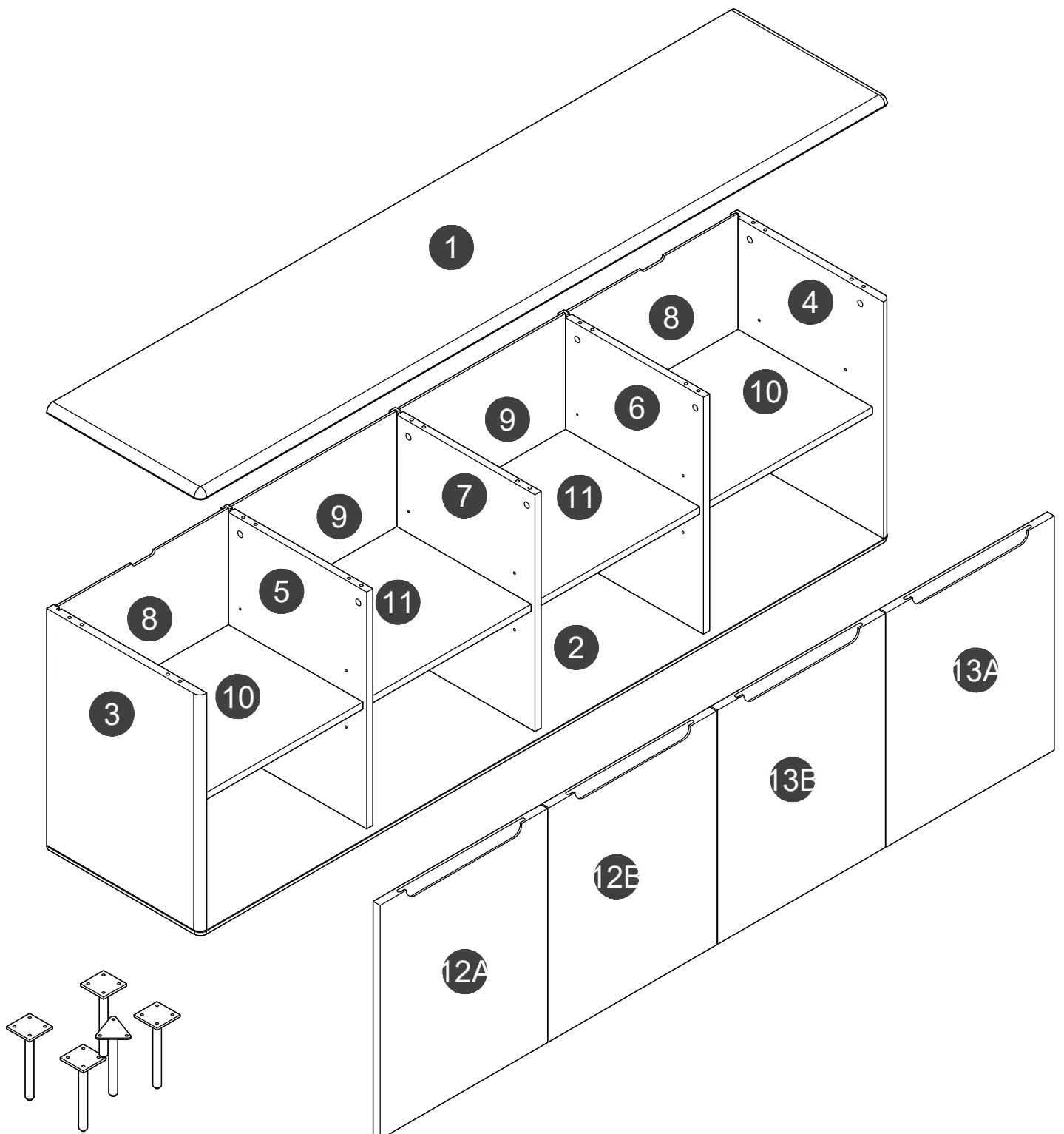


# early settler

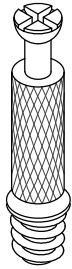


Panel No	Panel Sizes	Quantity
1	1800*400*18	1
2	1800*400*18	1
3	534*399*18	1
4	534*399*18	1
5	534*380*16	1
6	534*380*16	1
7	534*380*16	1

Panel No	Panel Sizes	Quantity
8	544*444*5	2
9	544*433*5	2
10	431*350*16	2
11	420*350*16	2
12A/12B	528*437*18	2
13A/13B	528*437*18	2



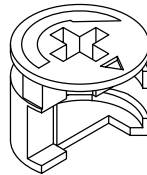
# Fittings



M6\*40mm  
A=10



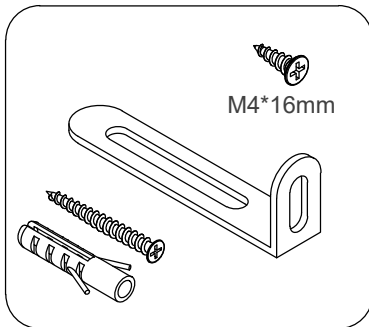
Φ8\*30mm  
B=20



Φ15\*12mm  
C=10



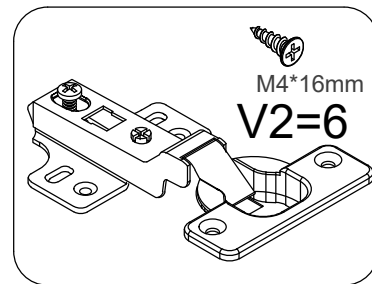
Φ21mm  
D=10



F2=2



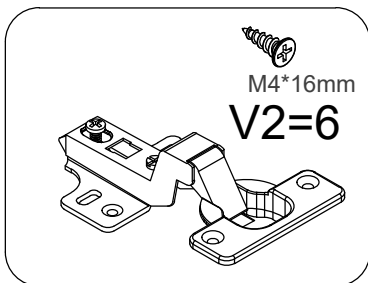
E=16



I2=4



M4mm  
H=1

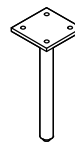


I3=4

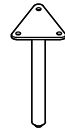


M6\*16mm

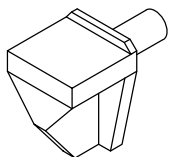
G1=19



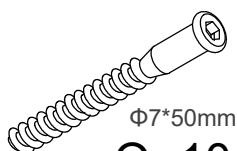
J-1=4



J-2=1



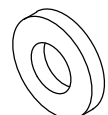
L=16



Φ7\*50mm  
Q=10



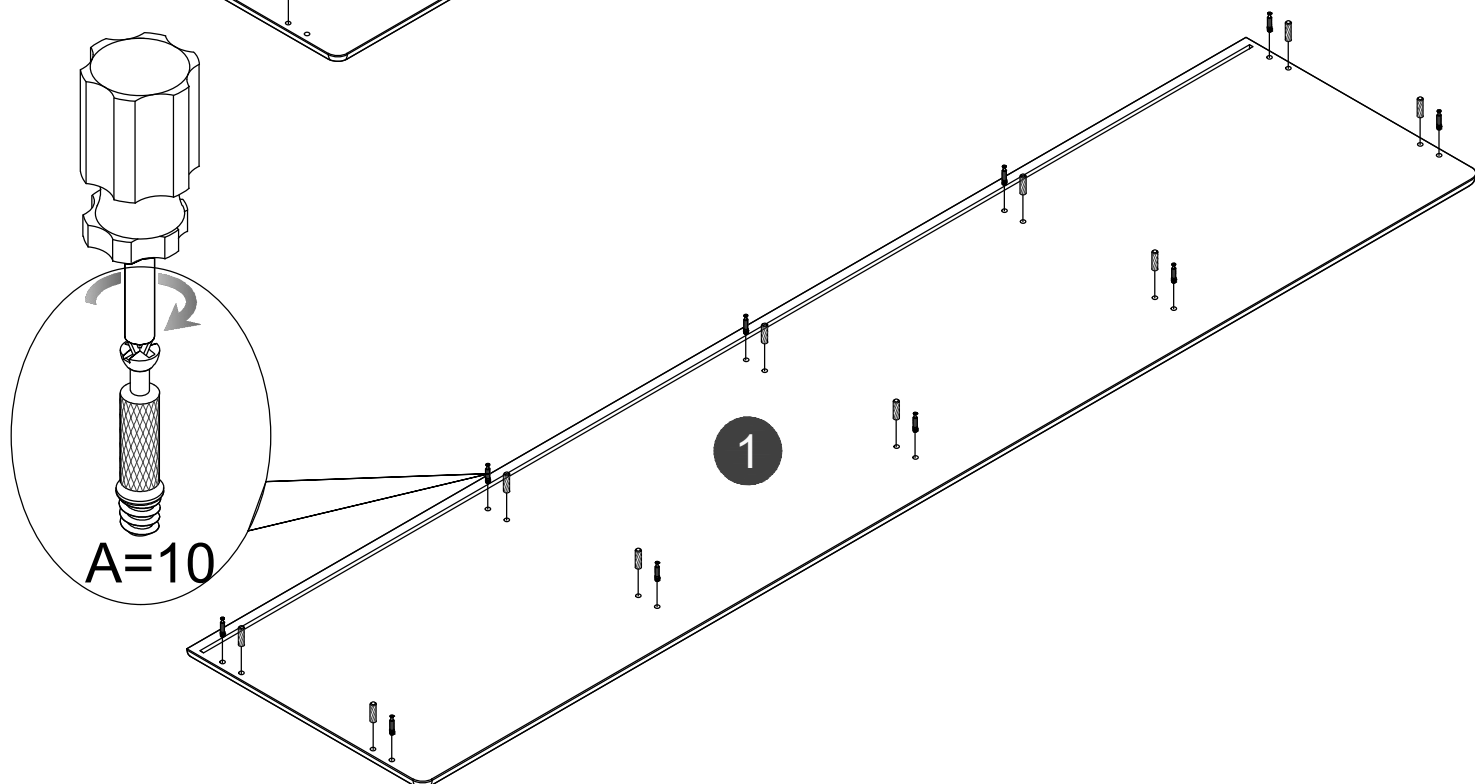
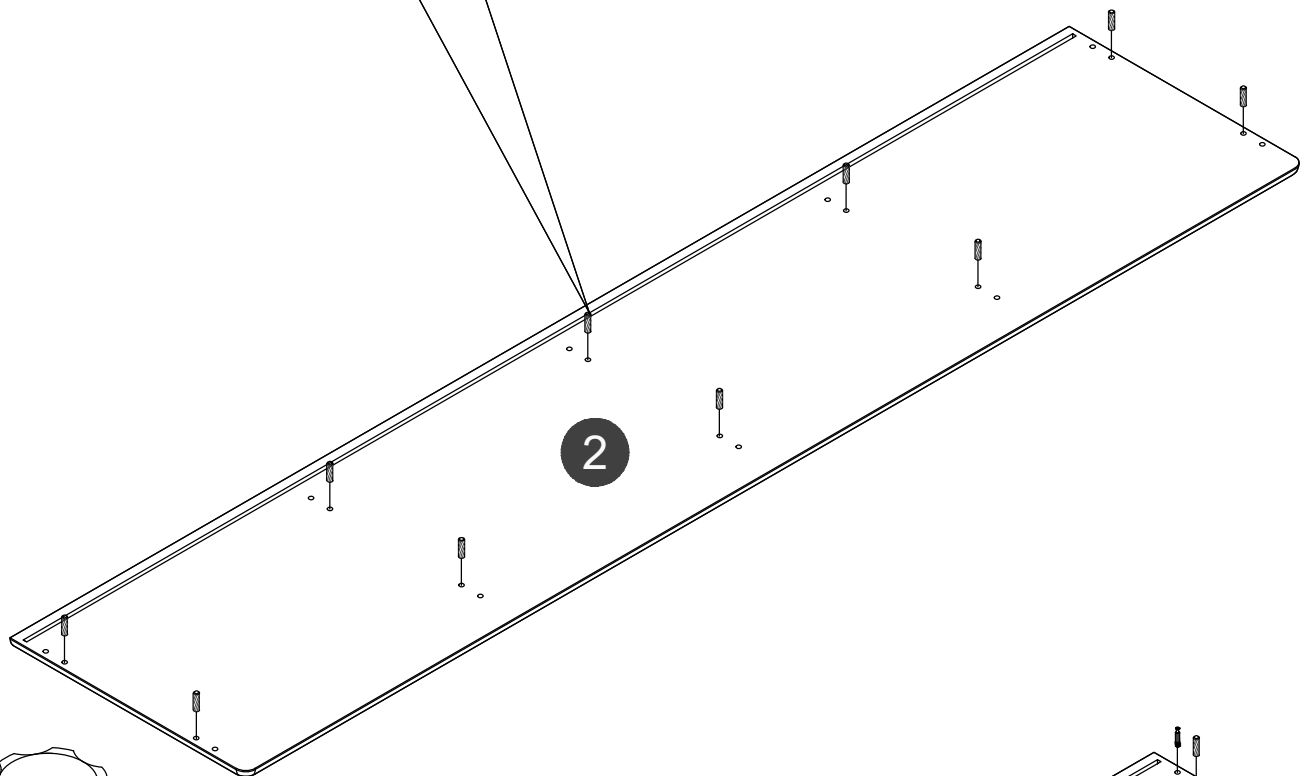
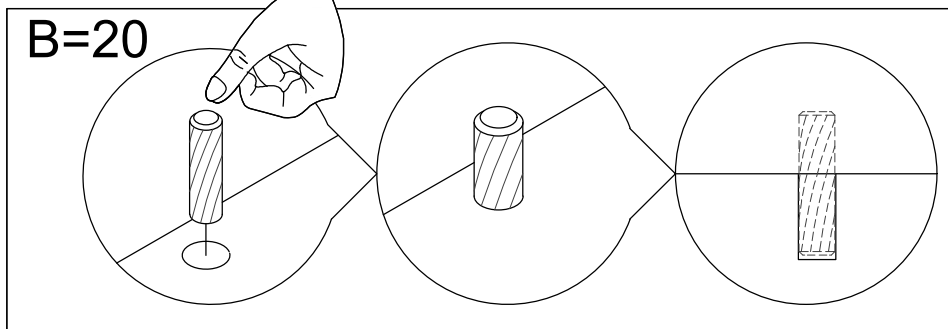
Z1=19



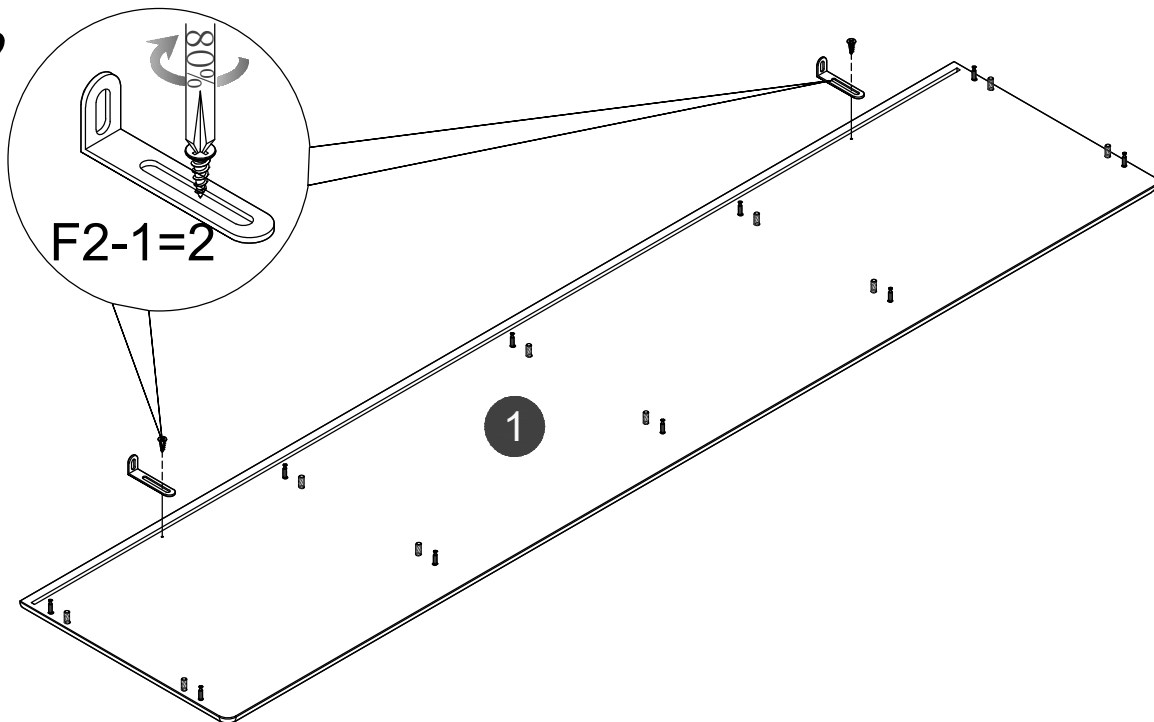
Z2=19

# early settler

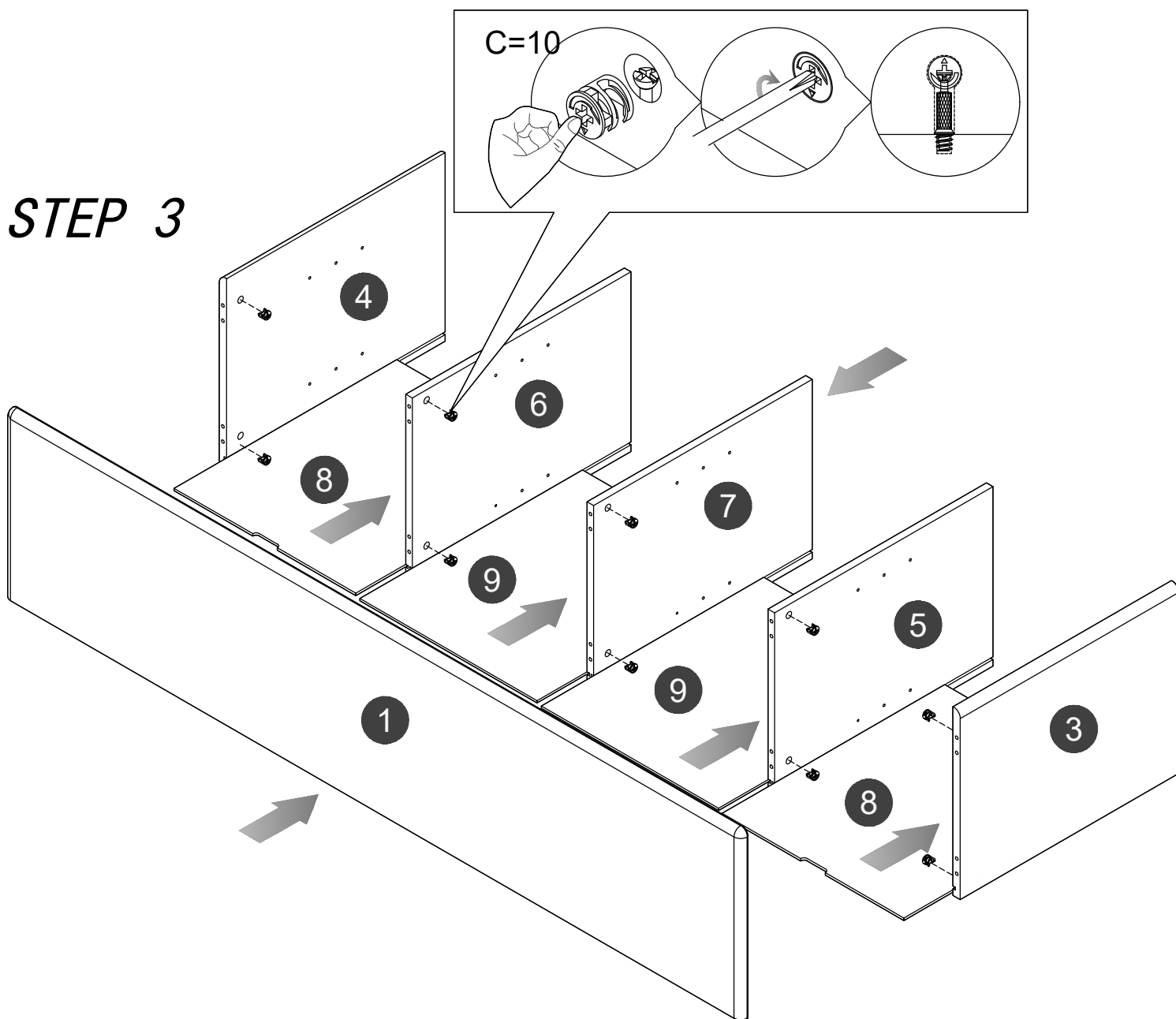
## STEP 1



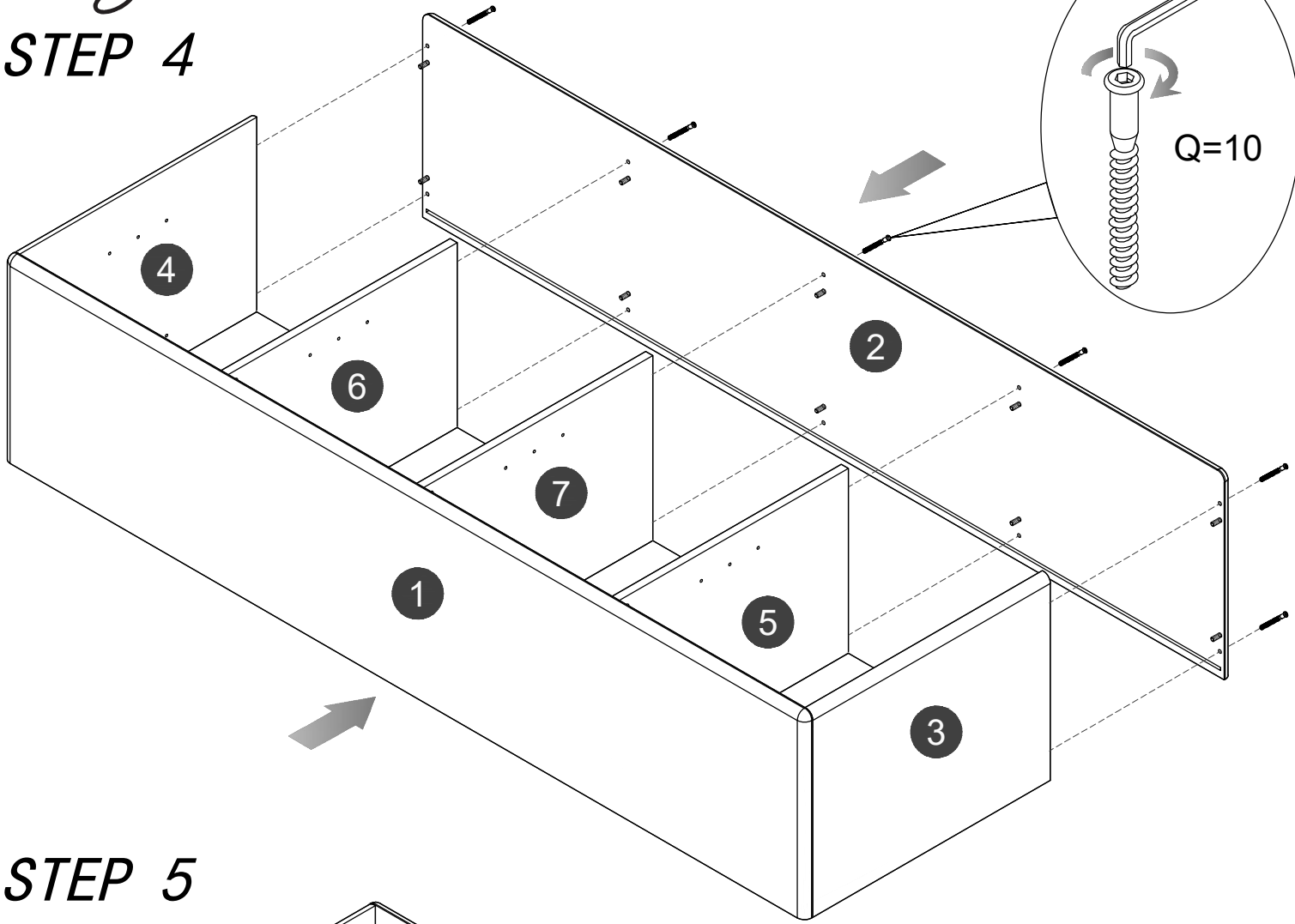
STEP 2



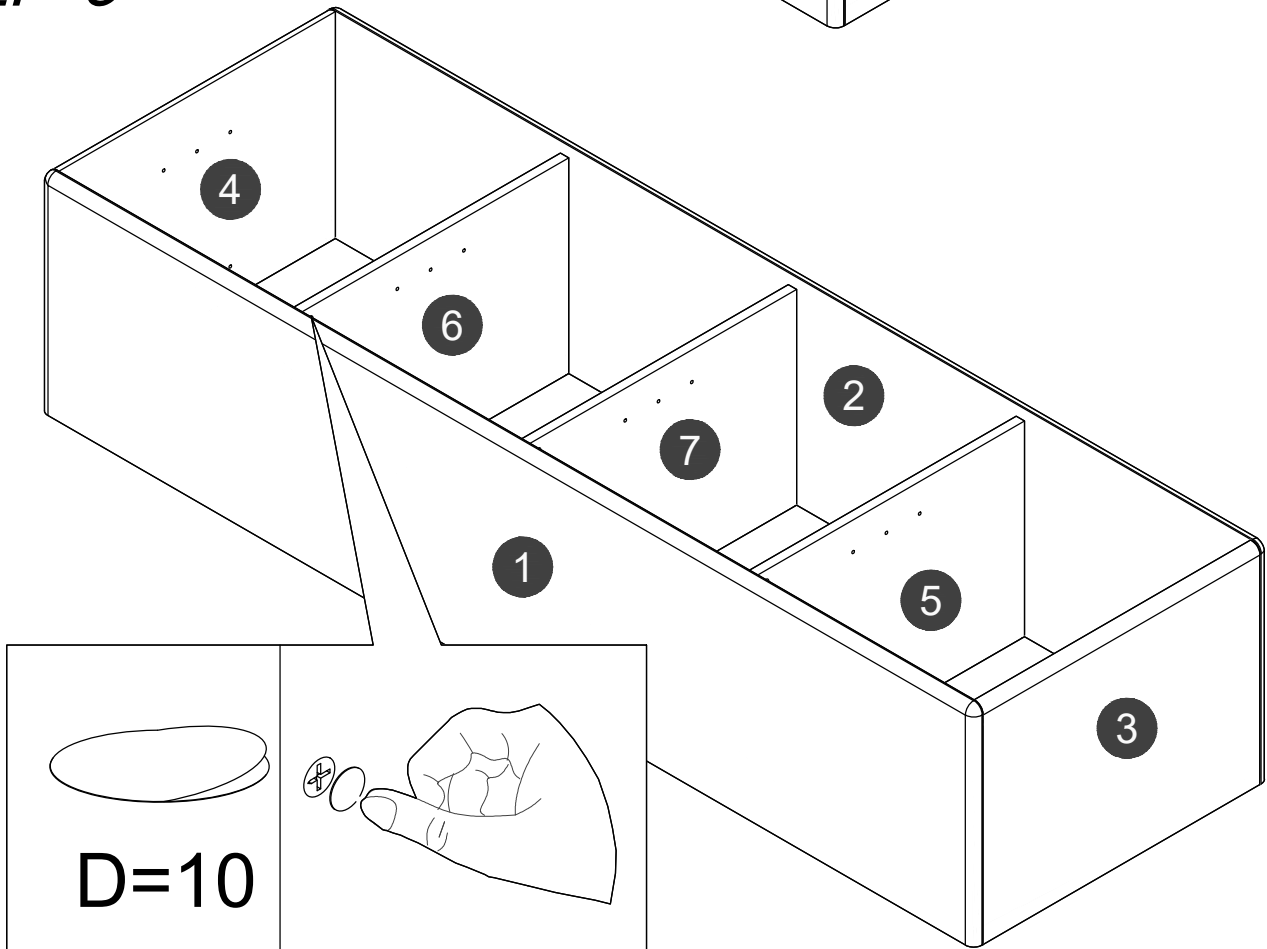
STEP 3



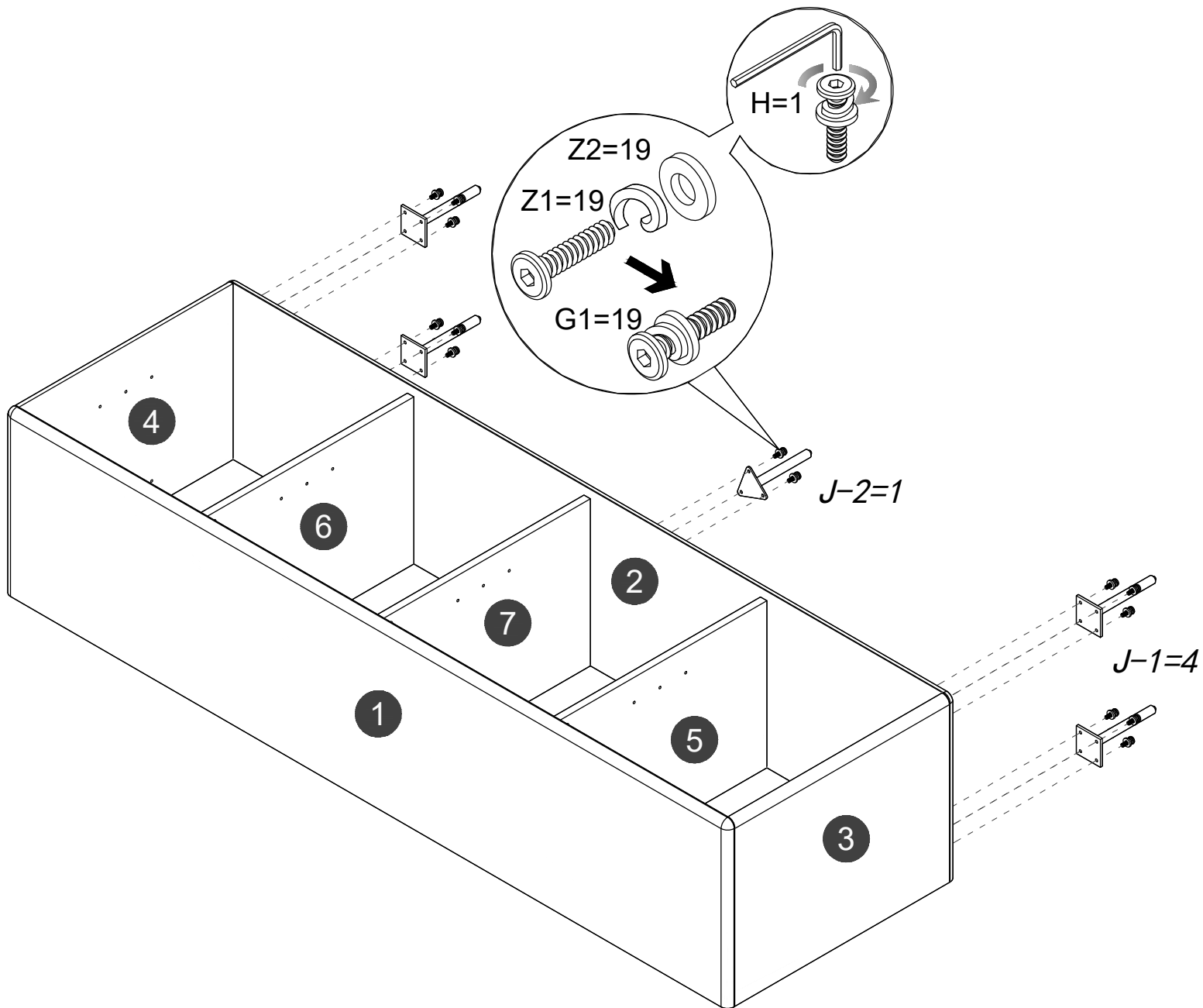
STEP 4



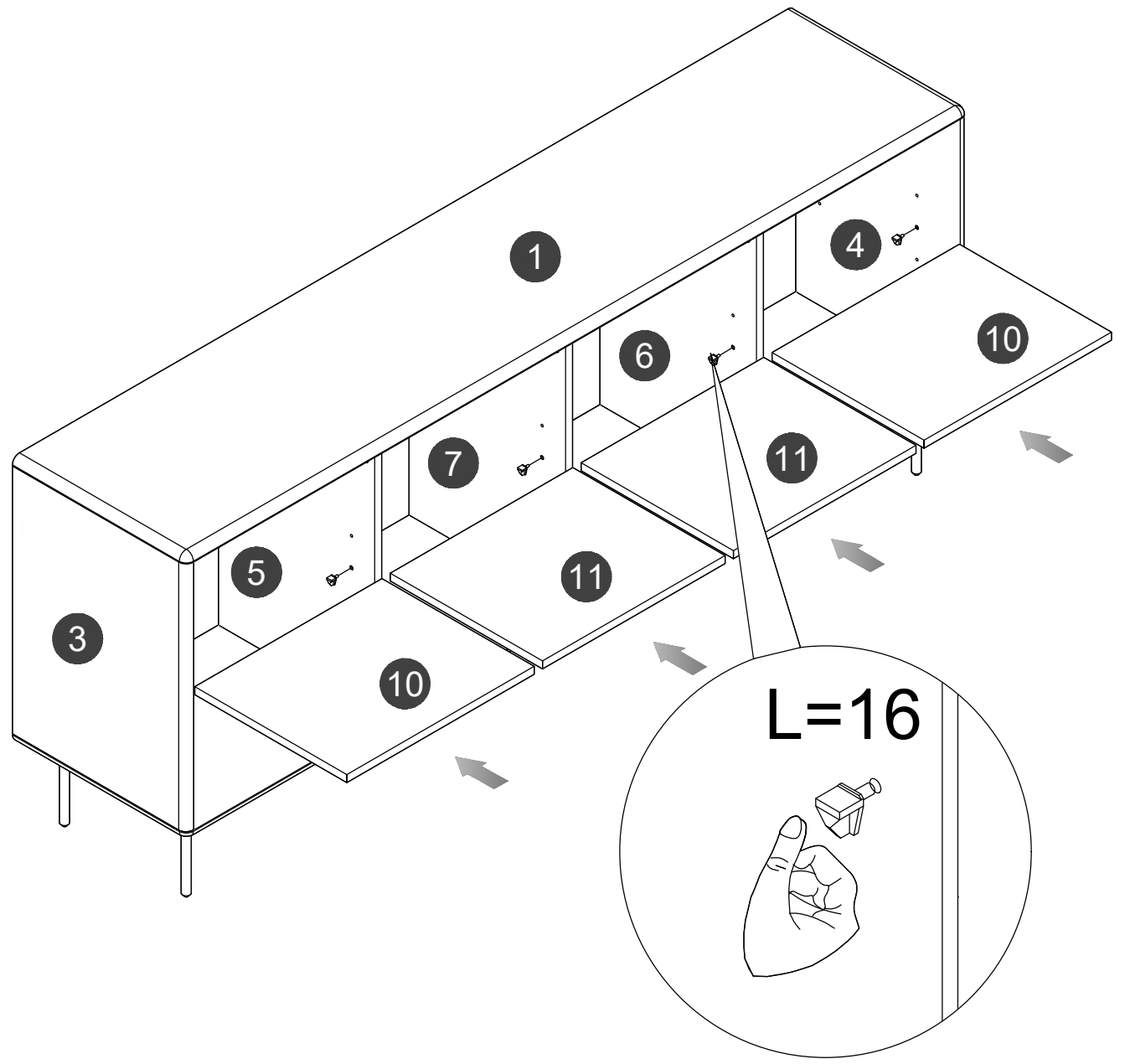
STEP 5



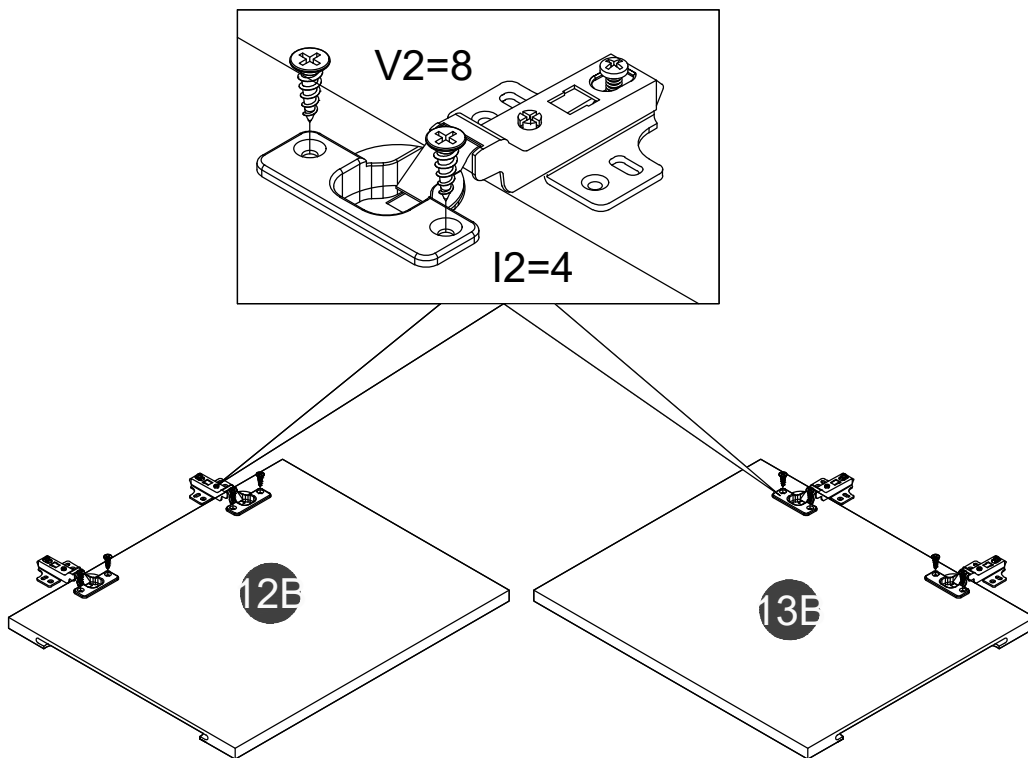
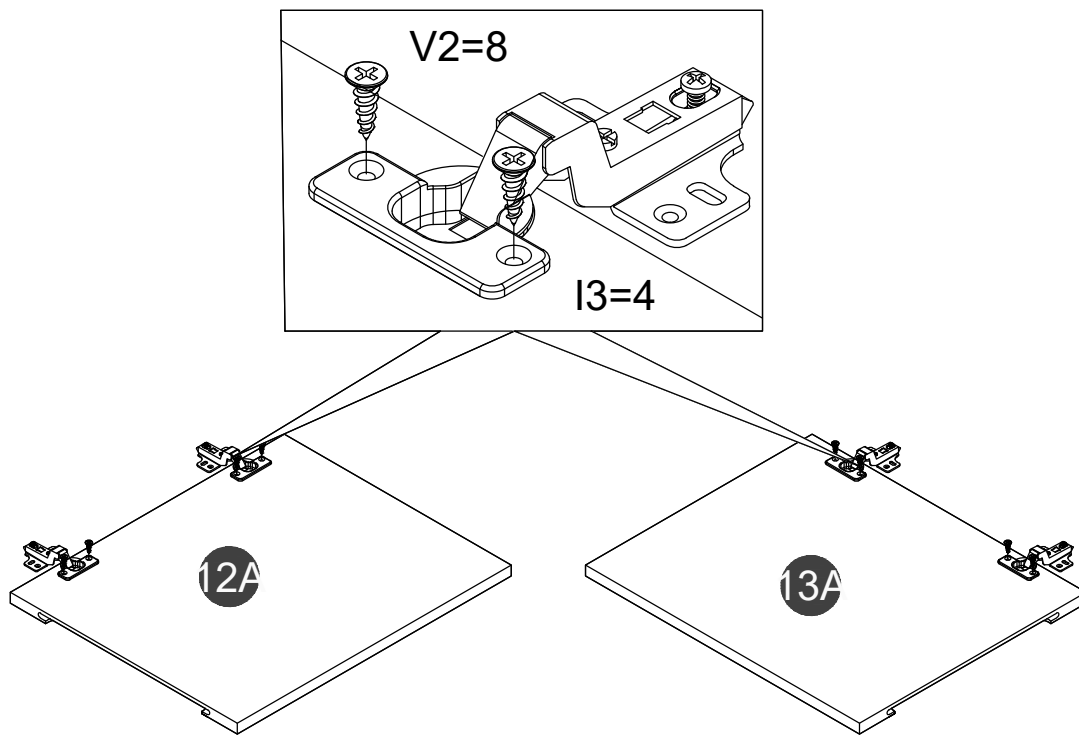
STEP 6



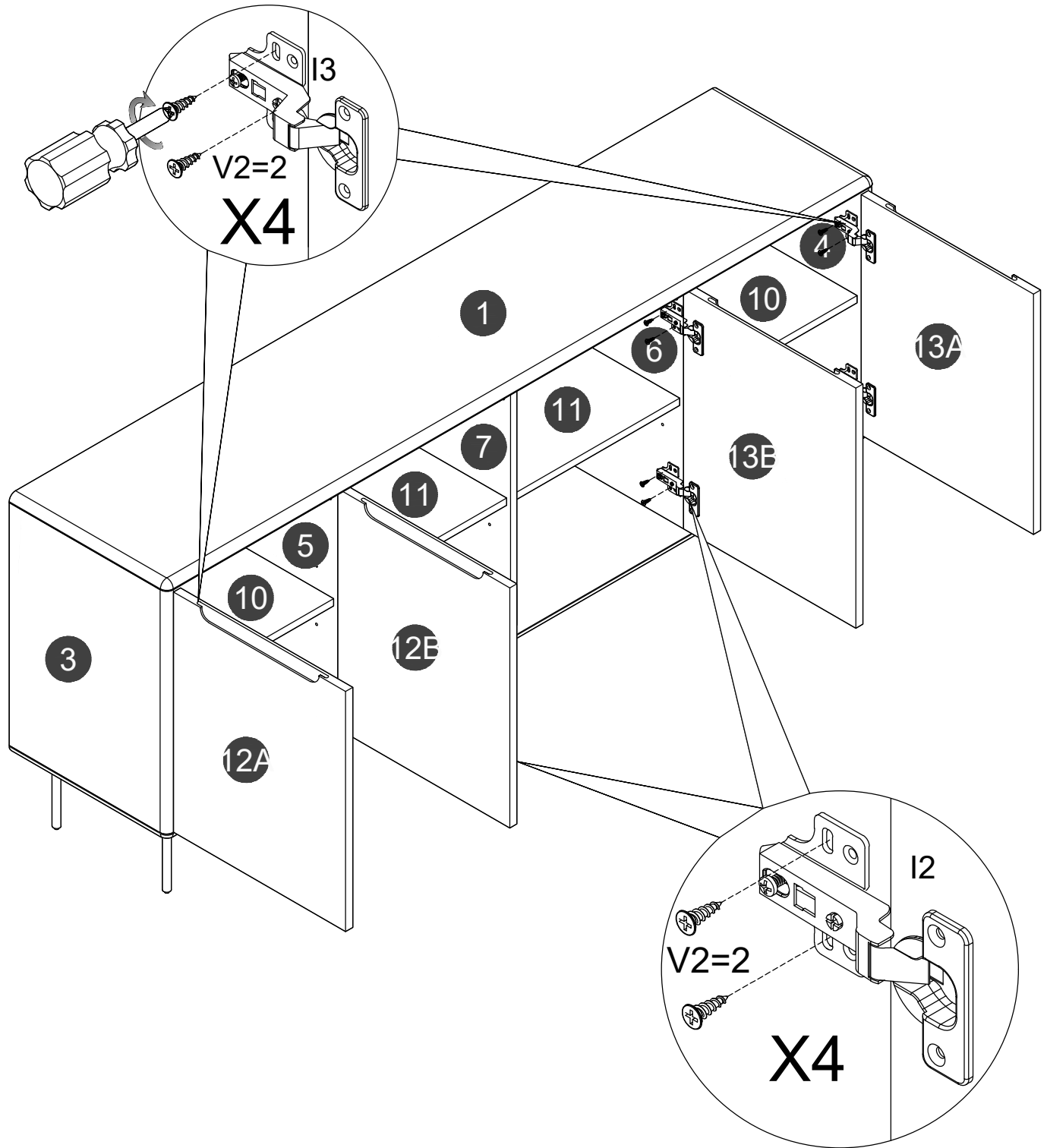
STEP 7



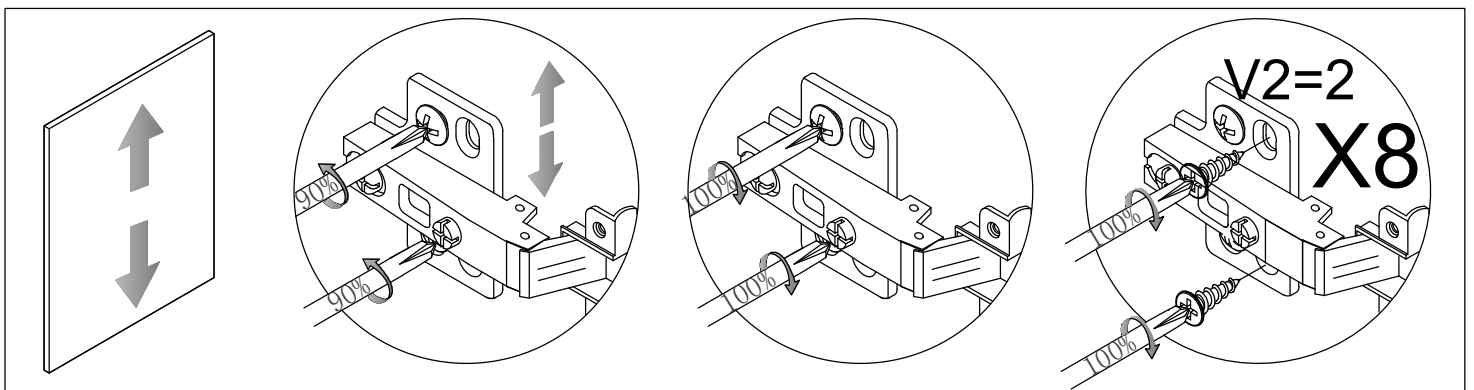
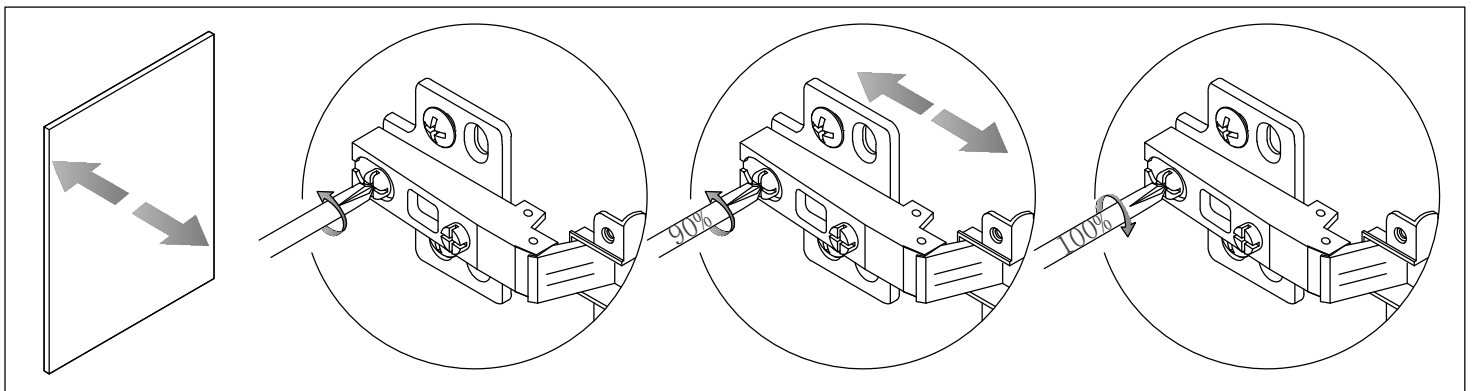
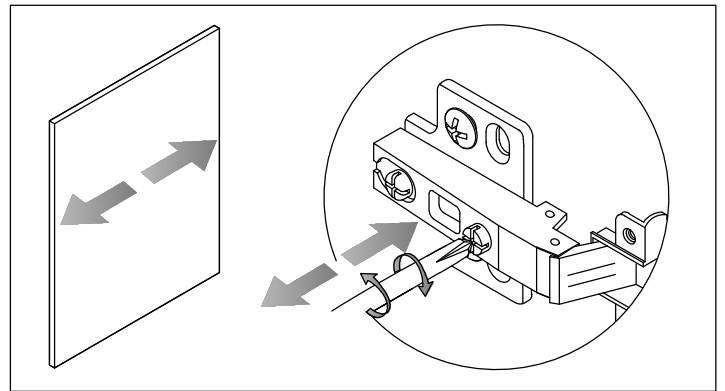
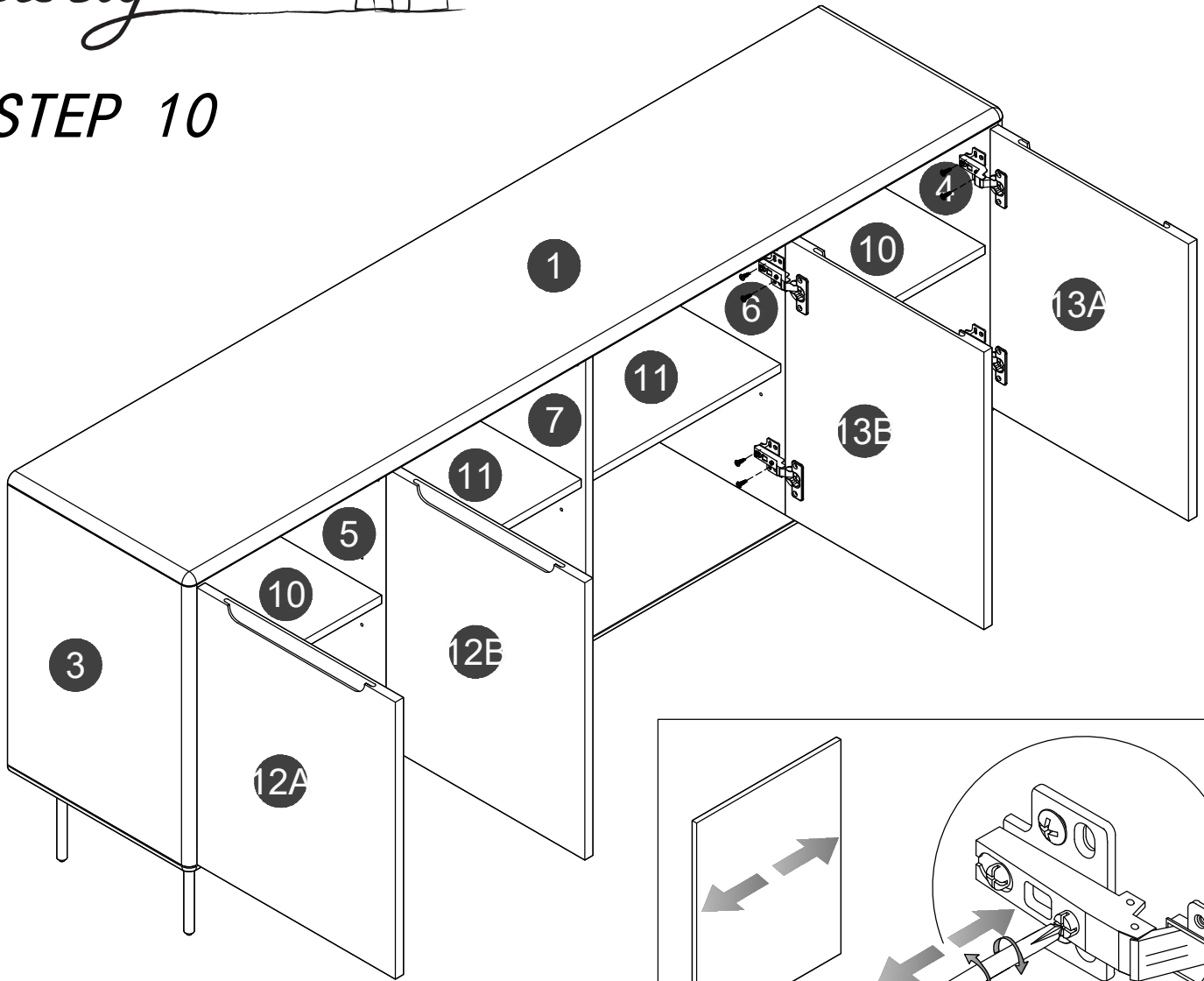
STEP 8



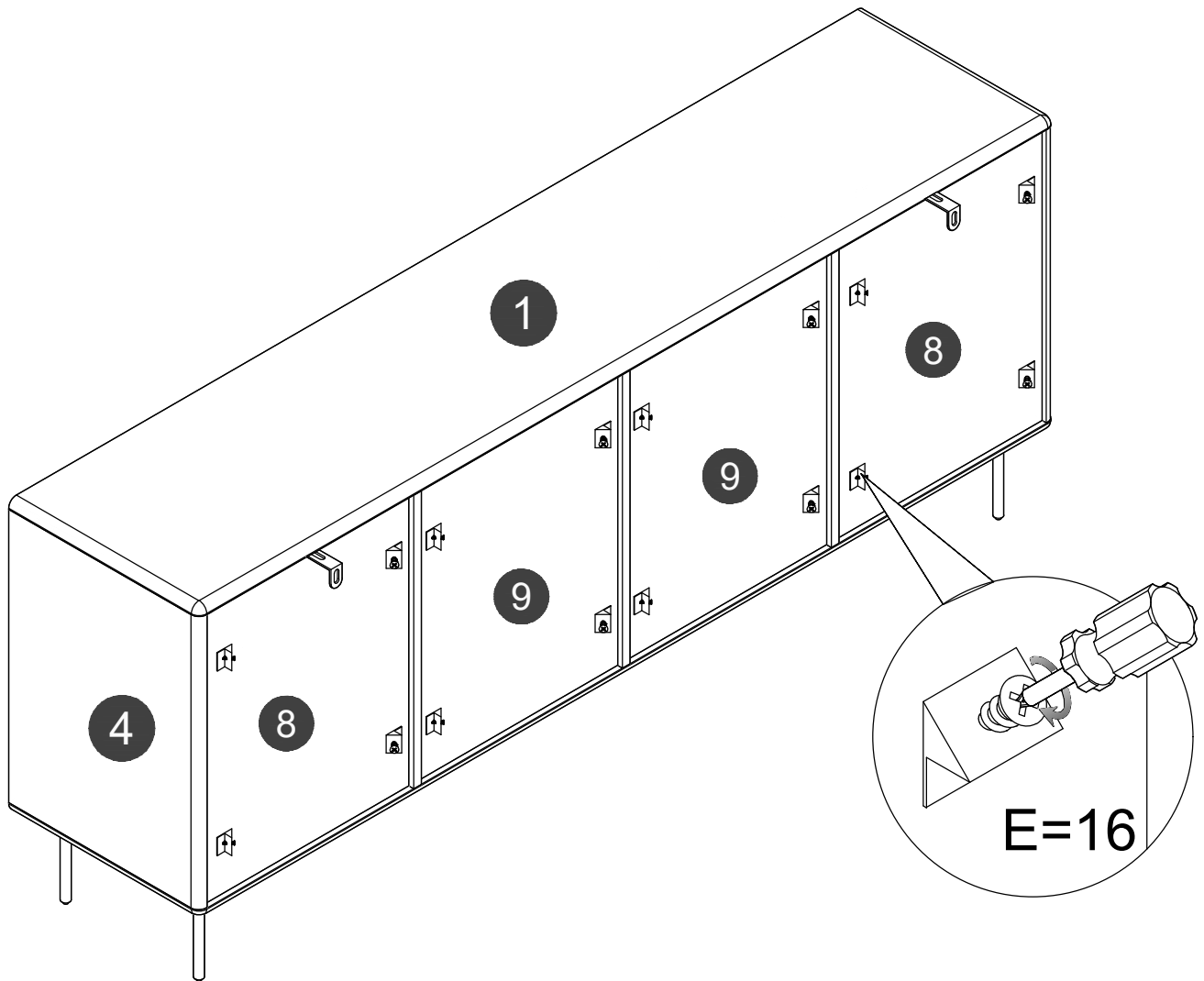
STEP 9



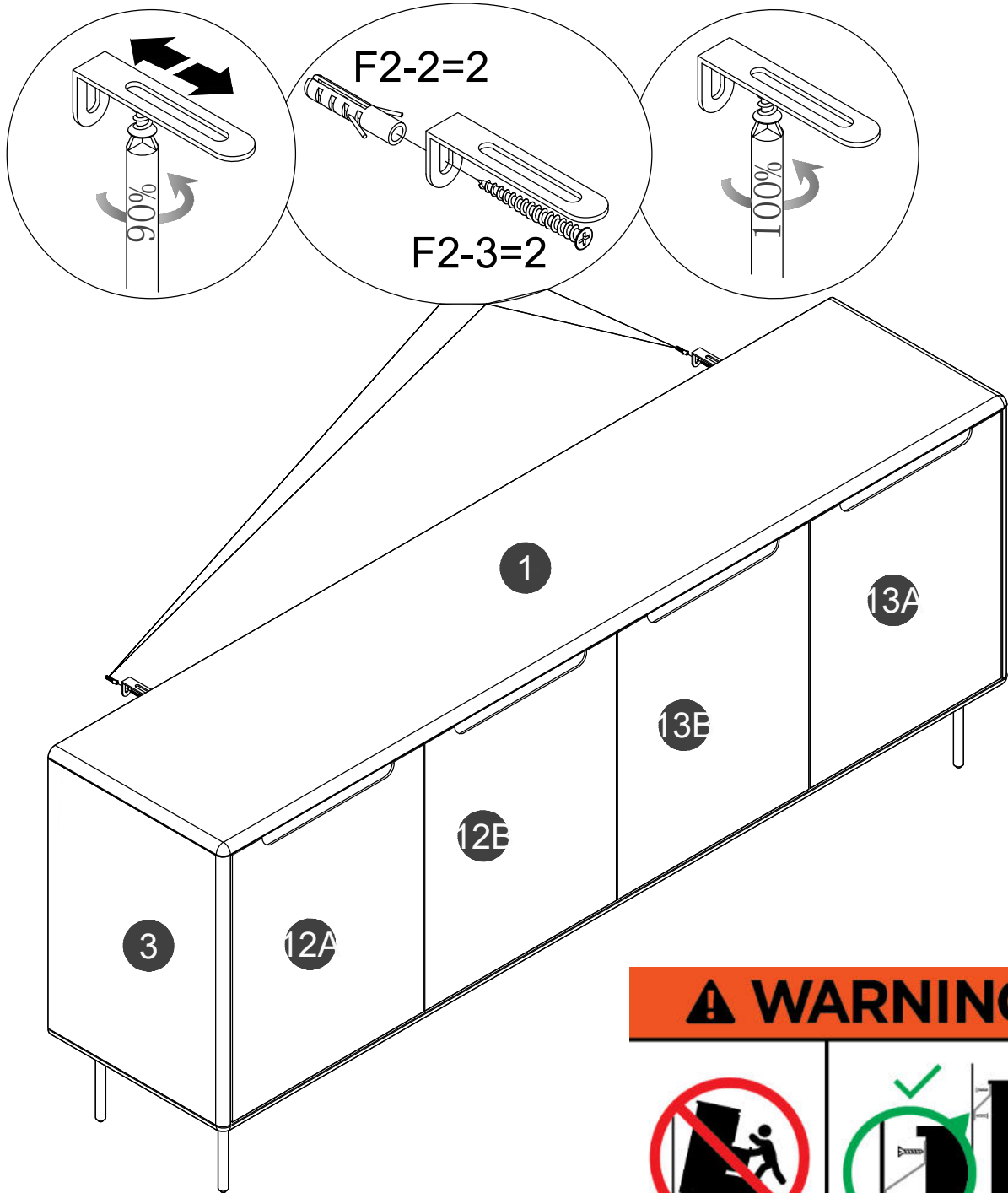
STEP 10



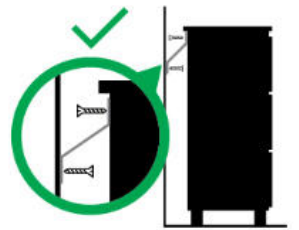
**STEP 11**



# STEP 12



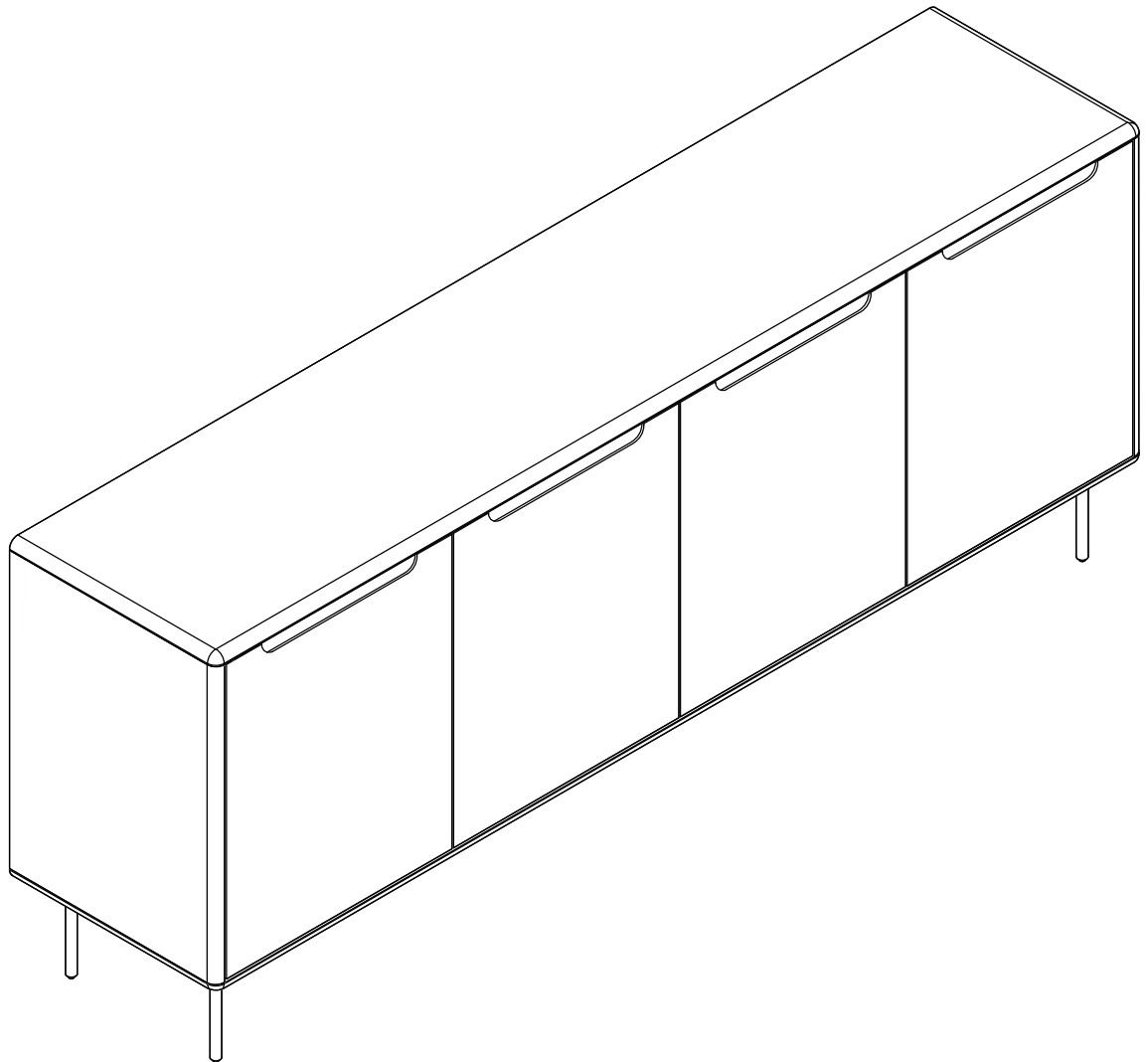
## **WARNING**



**Children have died from furniture tipover.**

- ALWAYS secure this furniture with an anchor device.
- NEVER allow children to stand, climb or hang on drawers, doors, or shelves.

**STEP 13**



*Finish*