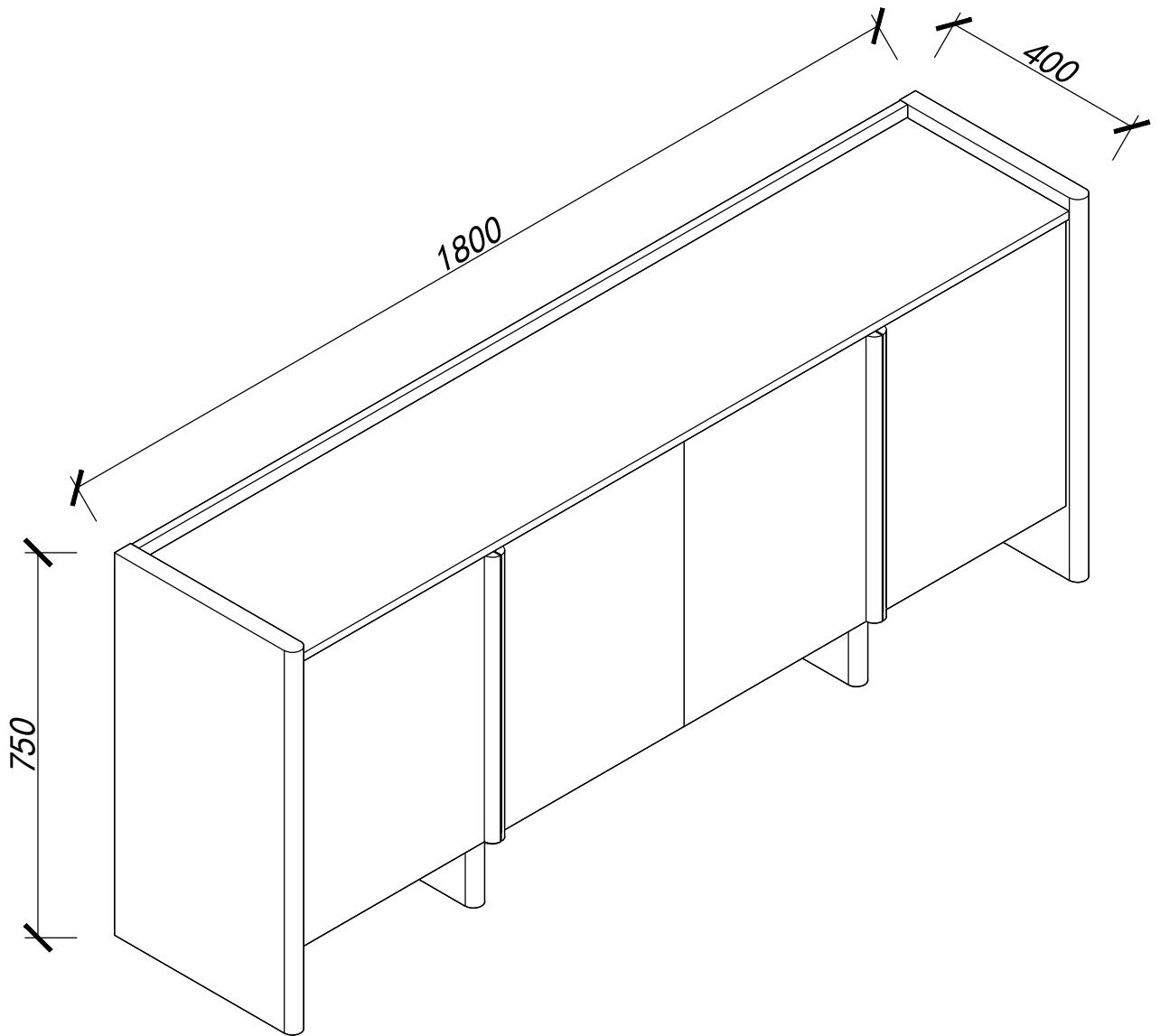
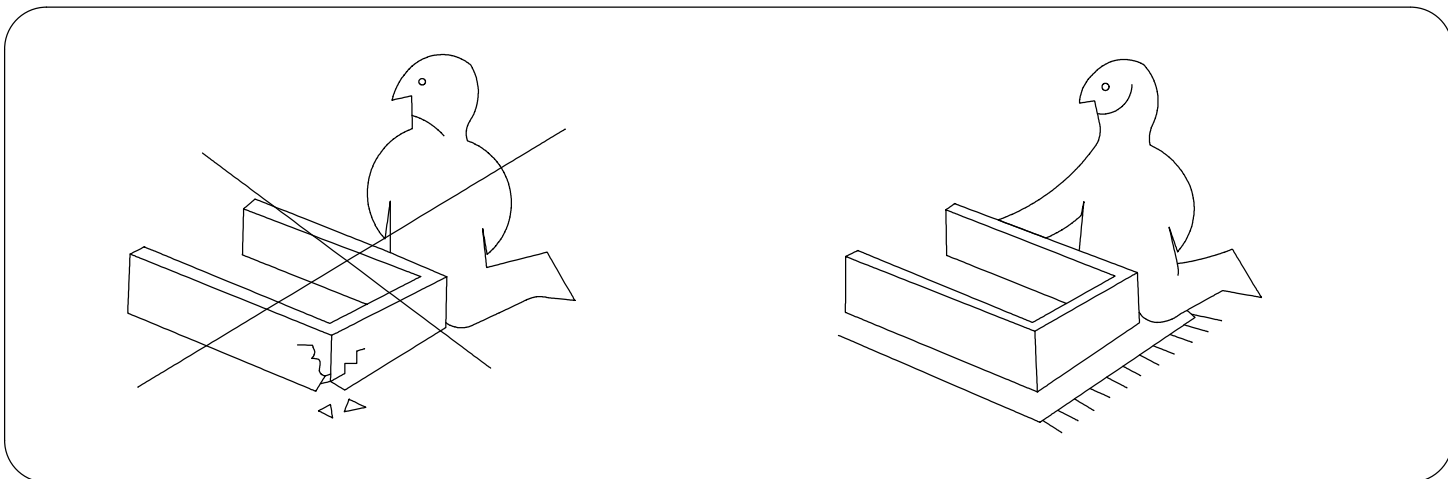
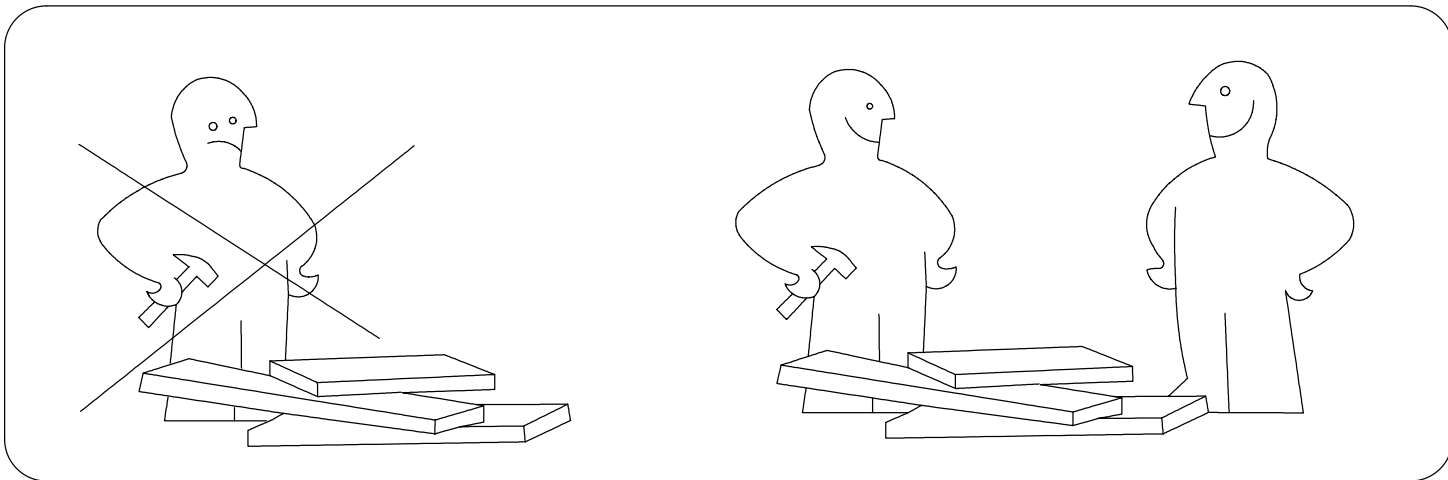
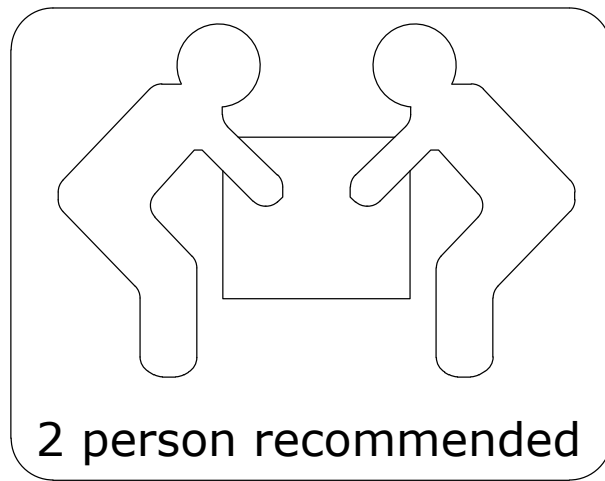
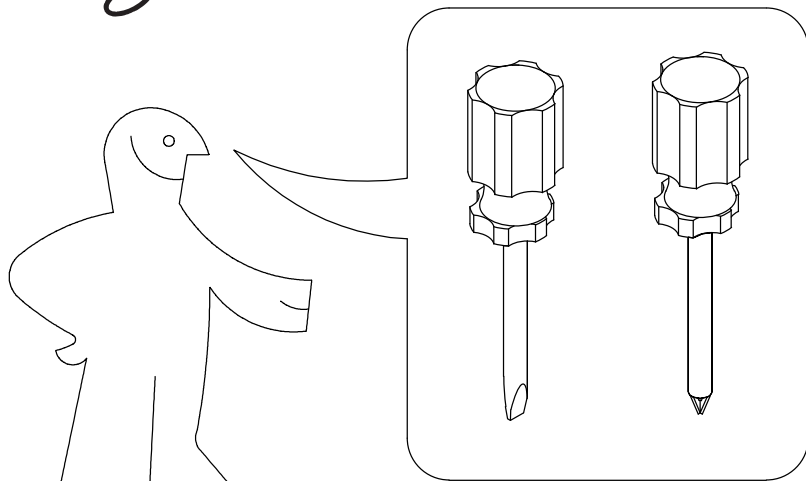


# Assembly Instruction

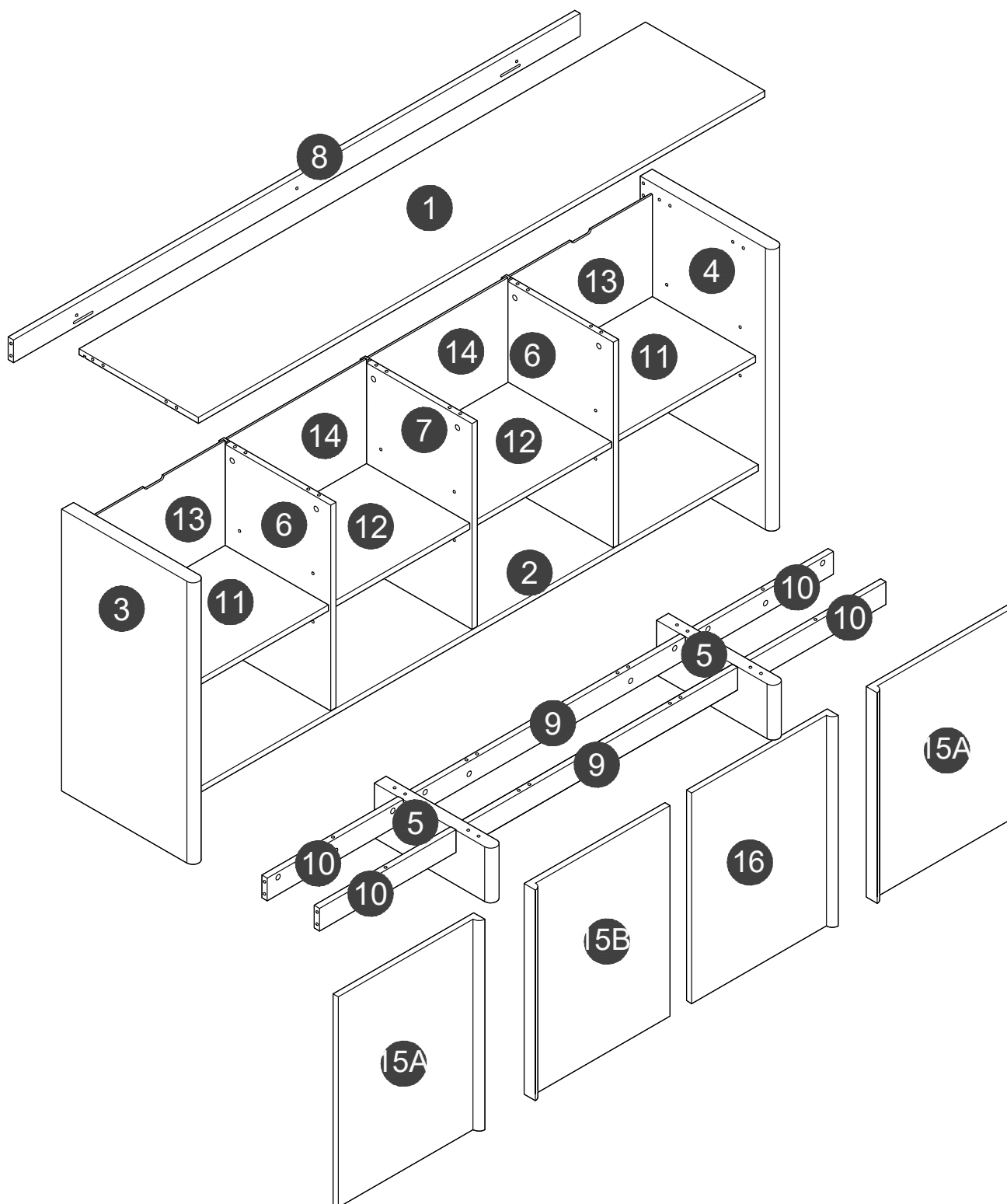


# early settler

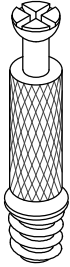


Panel No	Panel Sizes	Quantity
1	1728*364*16	1
2	1728*360*16	1
3	745*400*36	1
4	745*400*36	1
5	145*355*36	2
6	544*342*16	2
7	544*342*16	1
8	1728*60*16	1

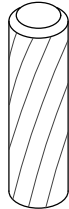
Panel No	Panel Sizes	Quantity
9	826*60*16	2
10	415*60*16	4
11	422*315*16	2
12	412*315*16	2
13	554*435*5	2
14	554*425*5	2
15A/15B	557*429*16	3
16	557*429*16	1



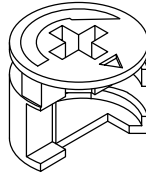
# Fittings



M6\*40mm  
A=42



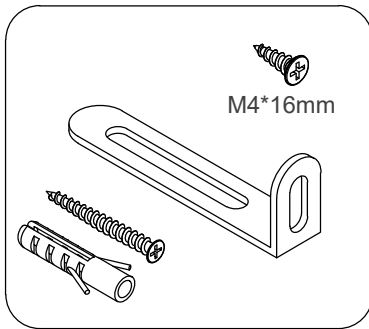
Φ8\*30mm  
B=40



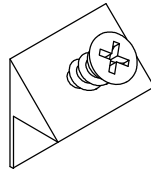
Φ15\*12mm  
C=42



Φ21mm  
D=42



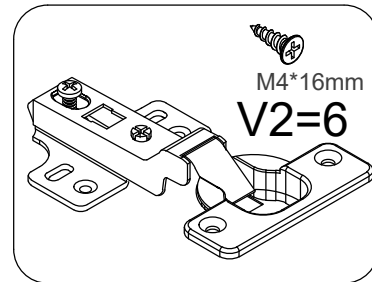
F2=2



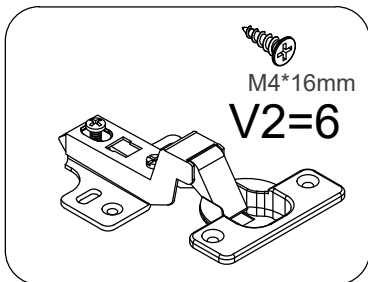
E=16



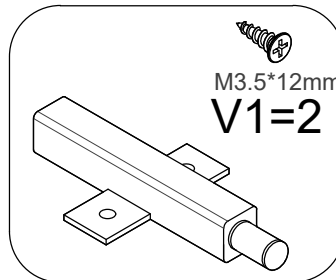
M4mm  
H=1



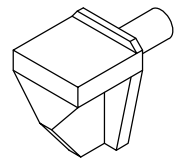
I2=4



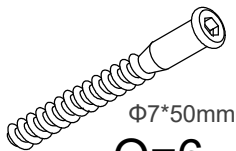
I3=4



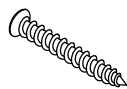
K=4



L=16

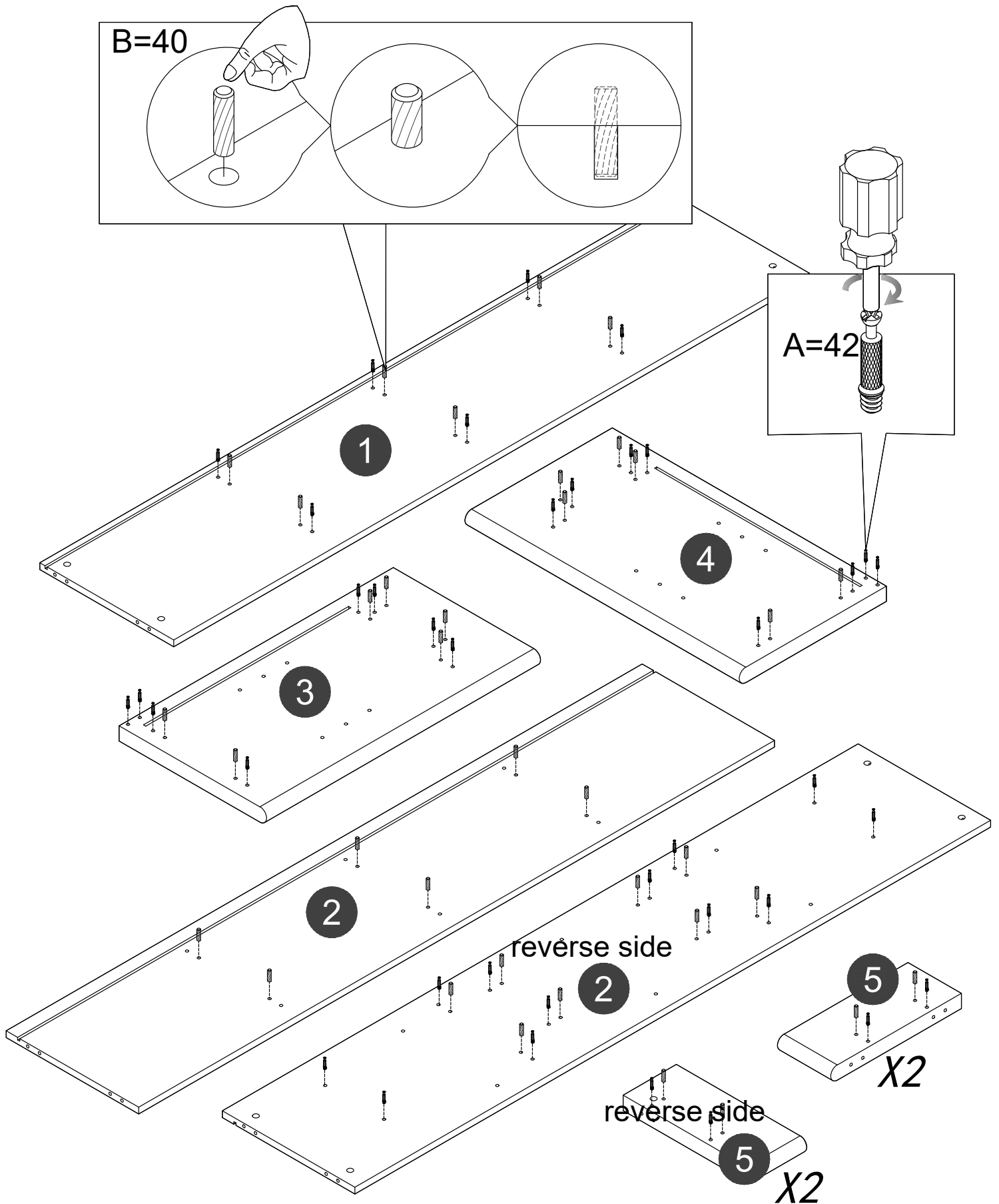


Φ7\*50mm  
Q=6

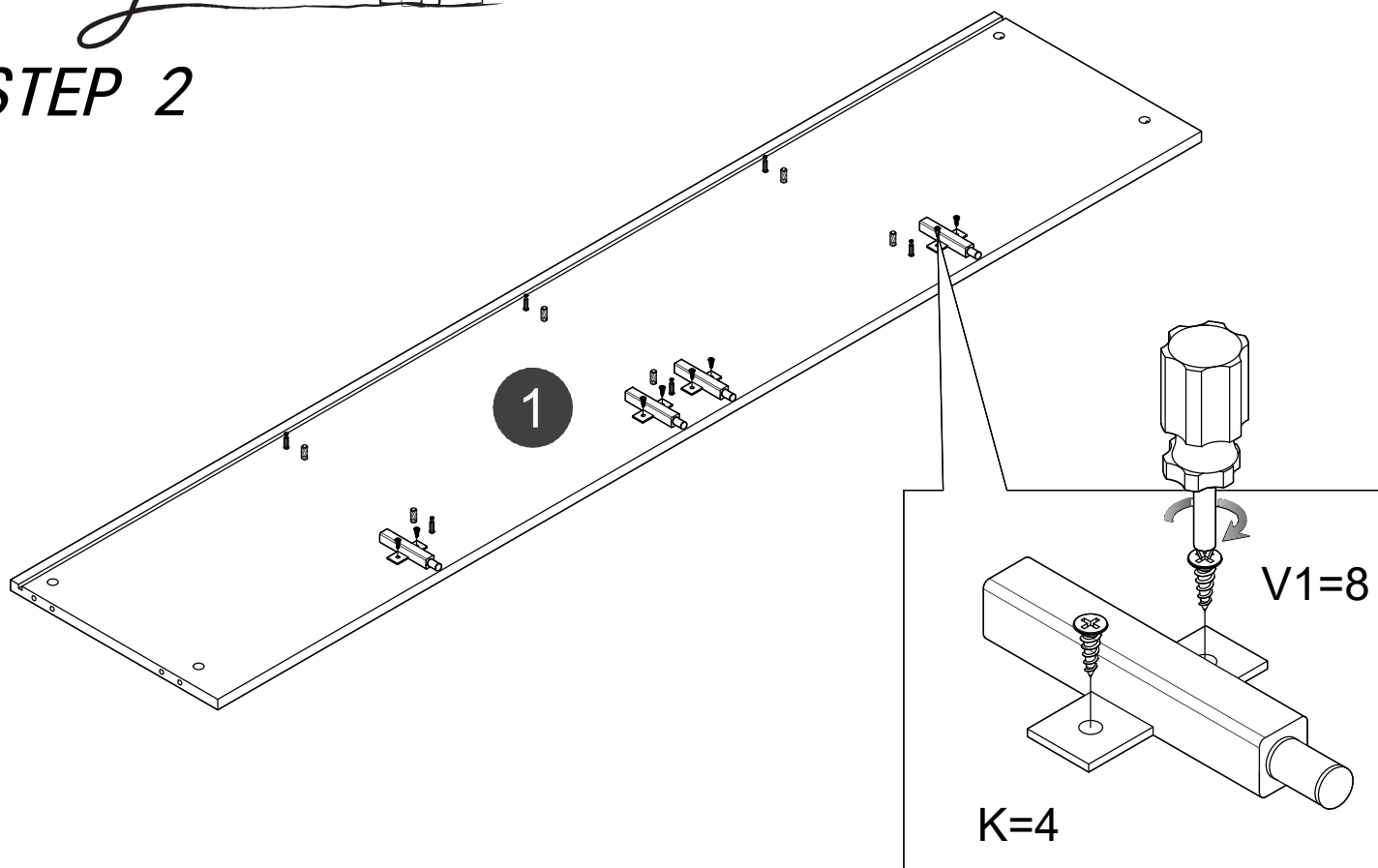


M4\*40mm  
V3=3

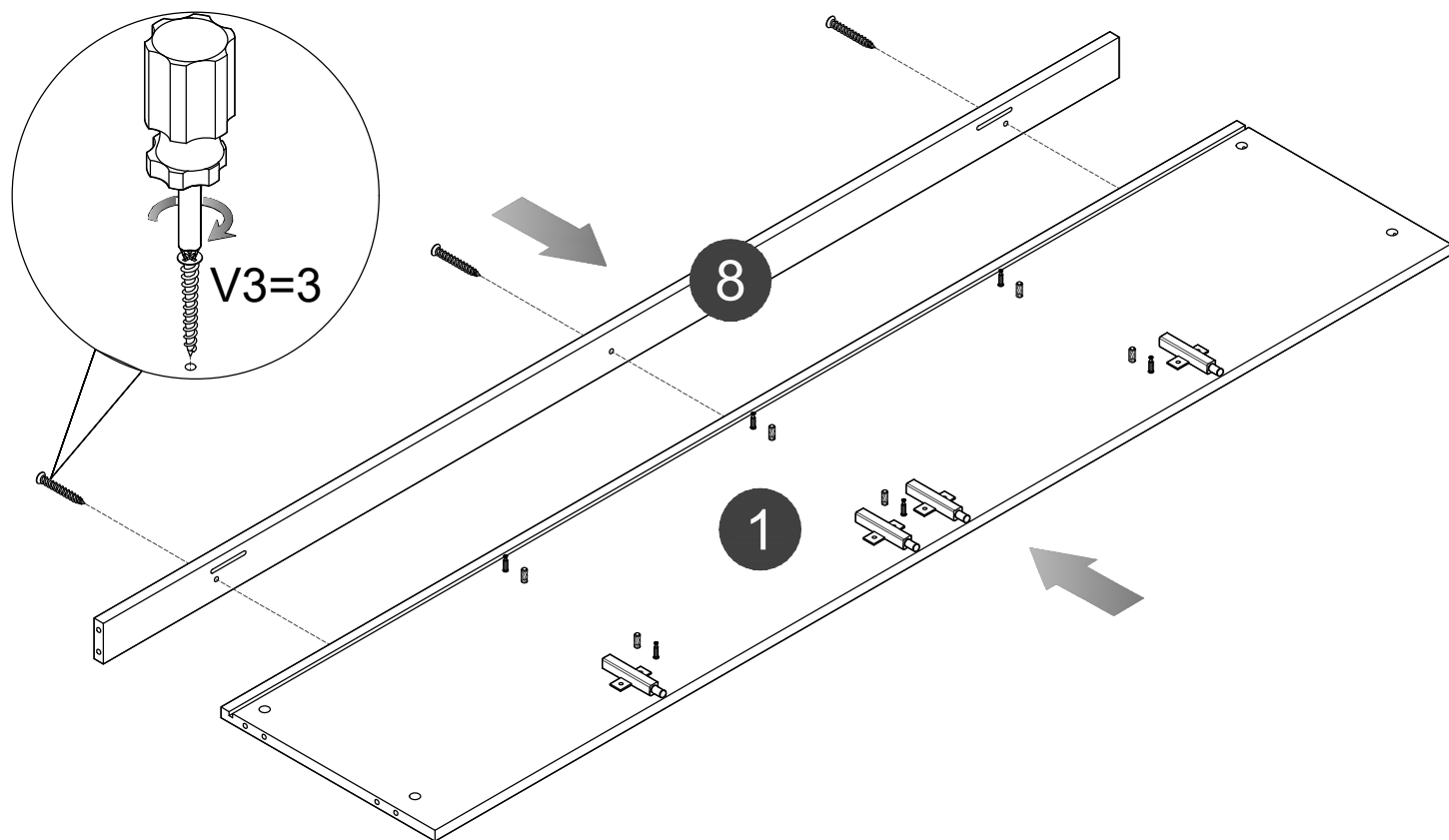
STEP 1



STEP 2

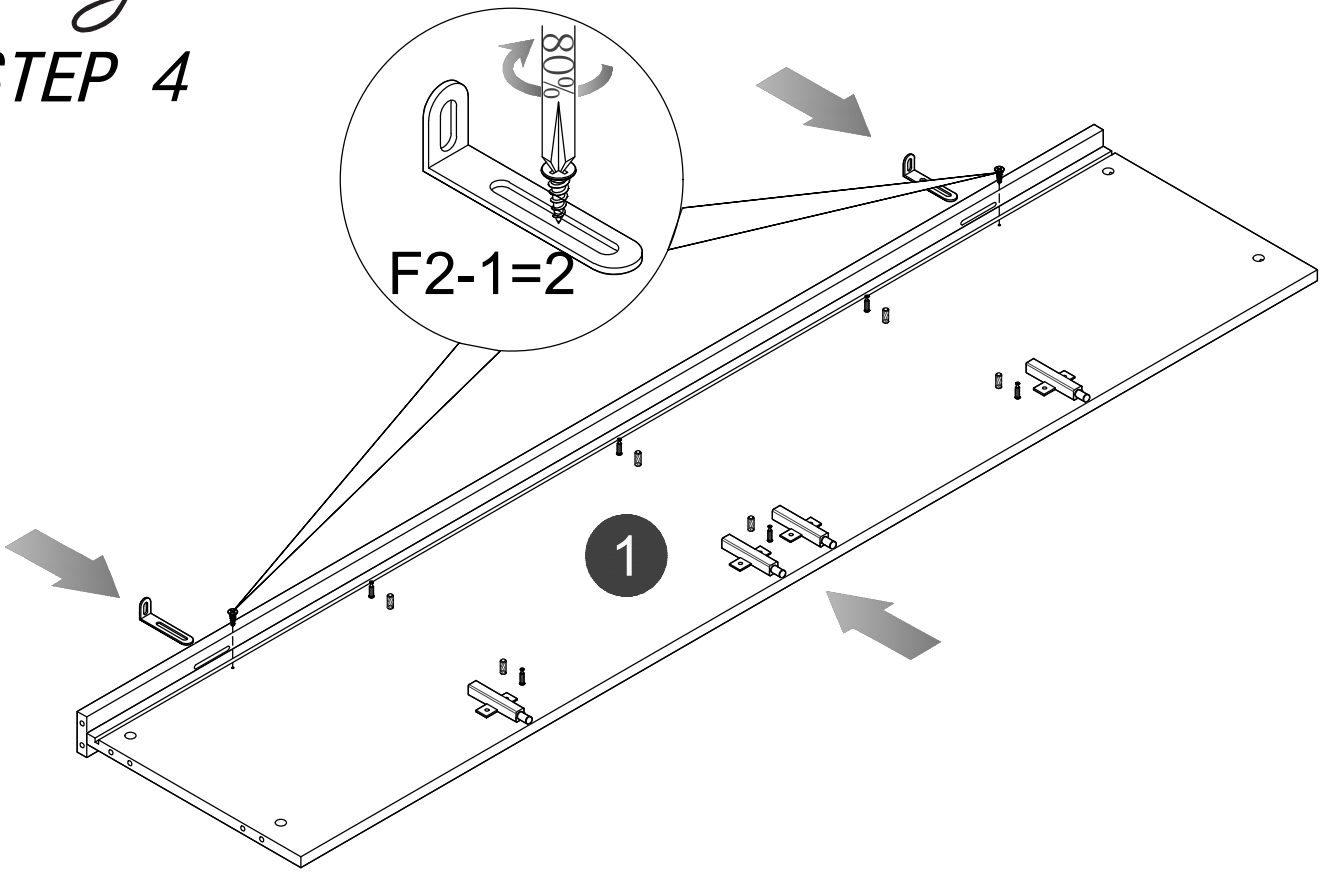


STEP 3

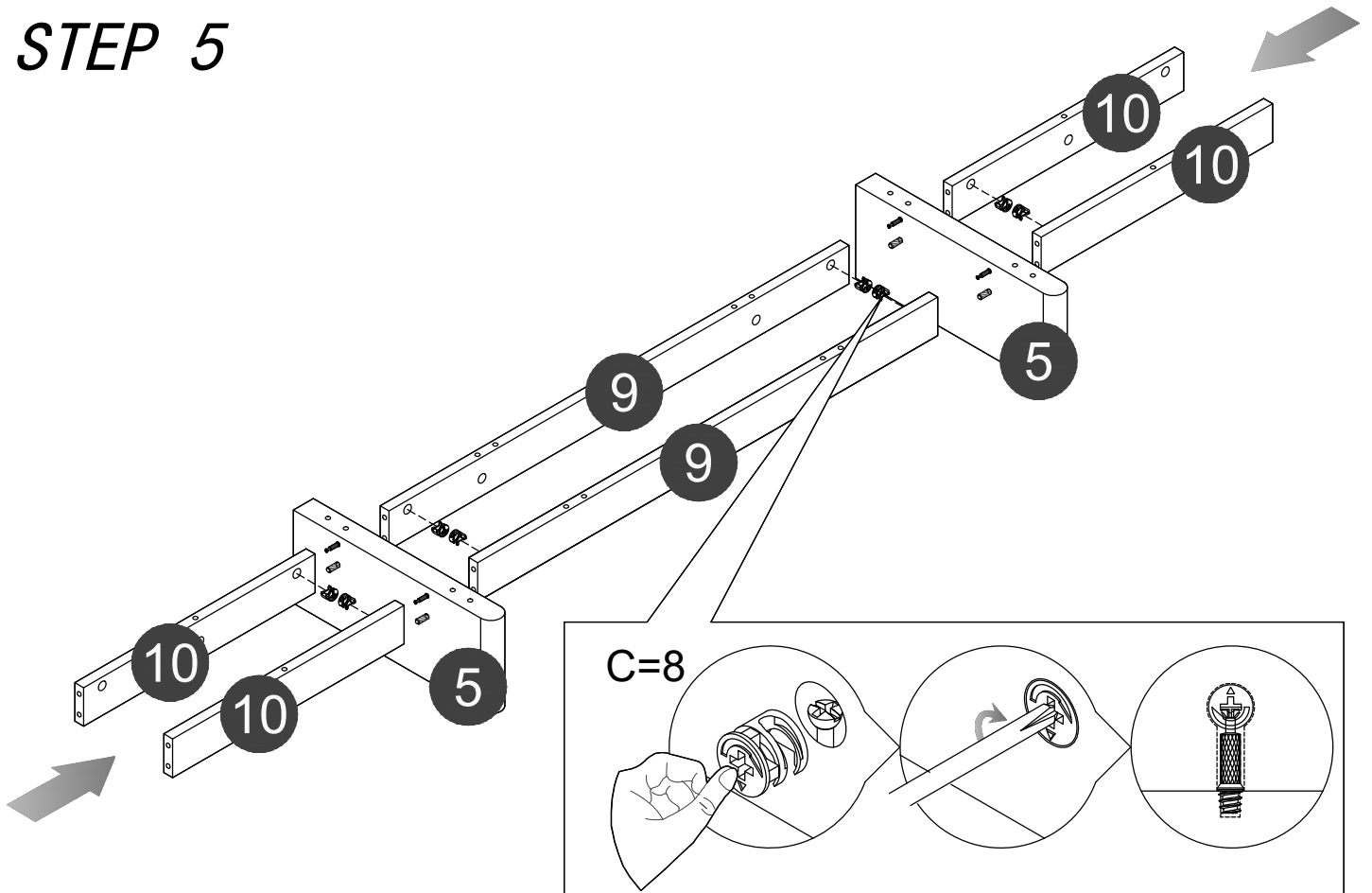


*early settler* 

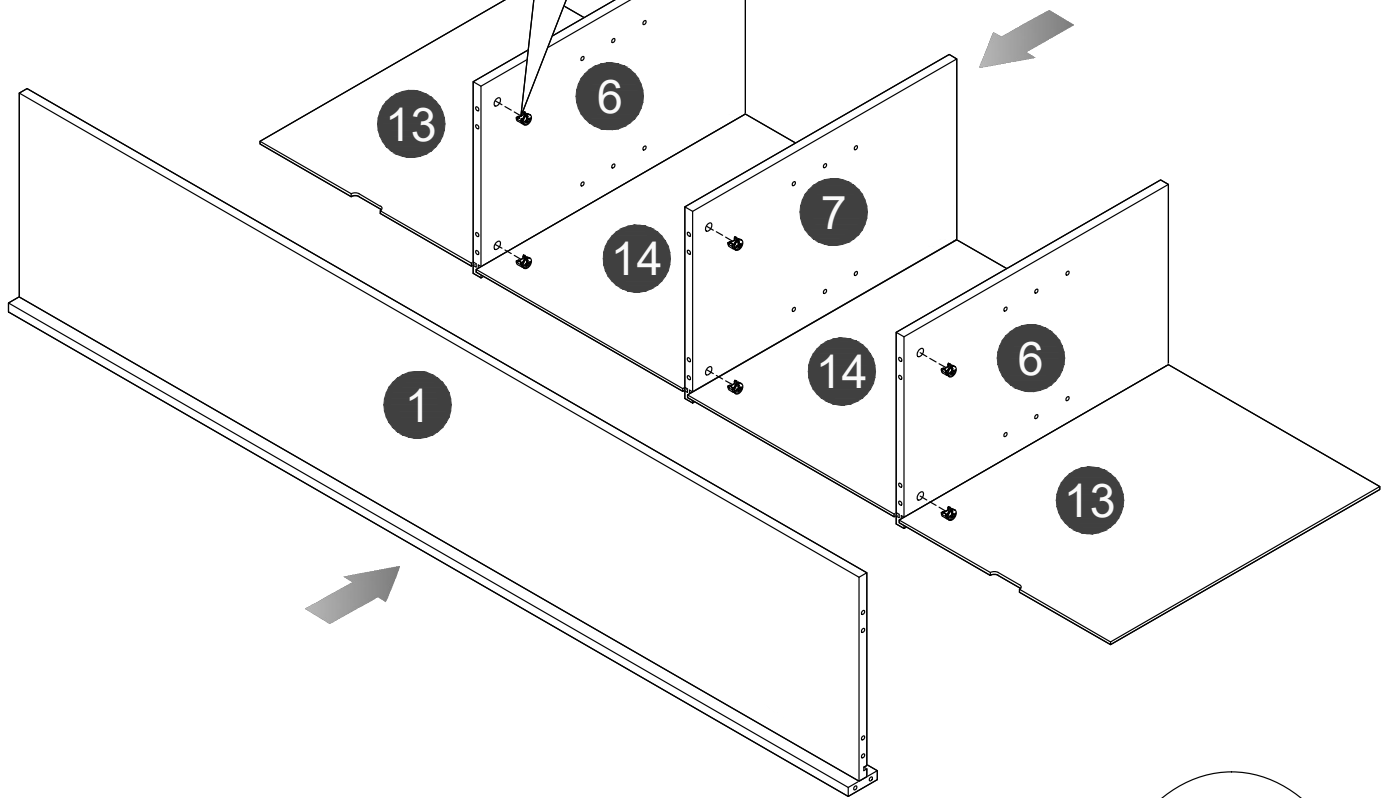
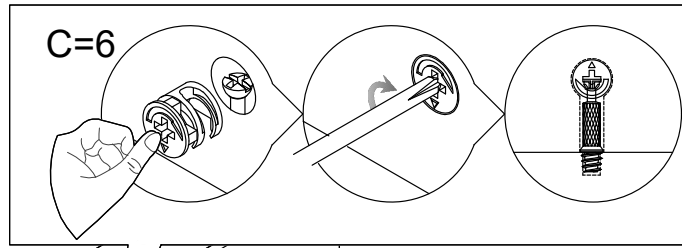
**STEP 4**



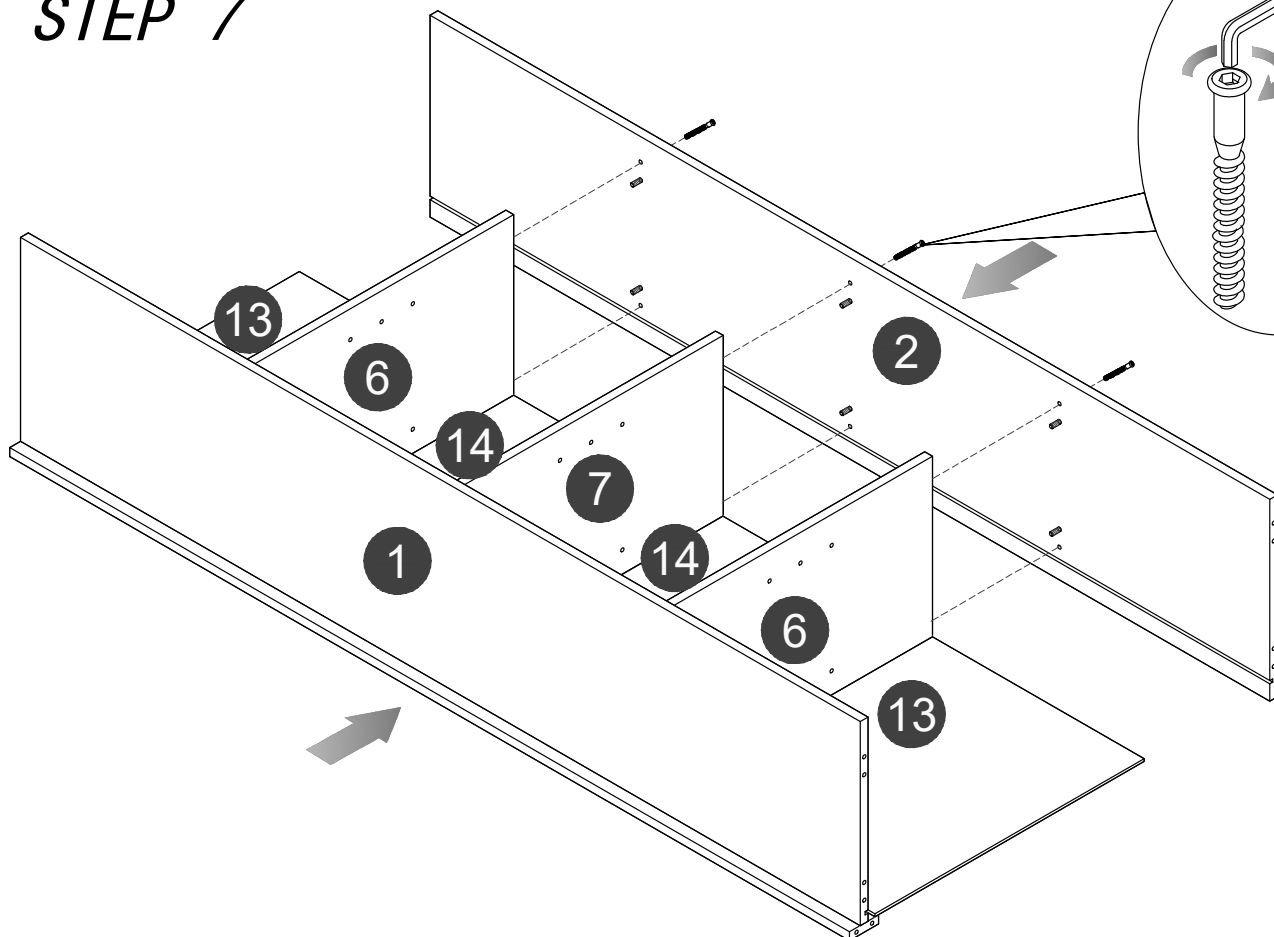
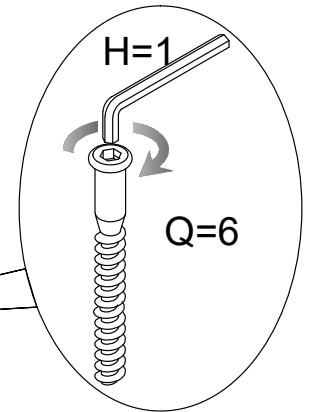
**STEP 5**



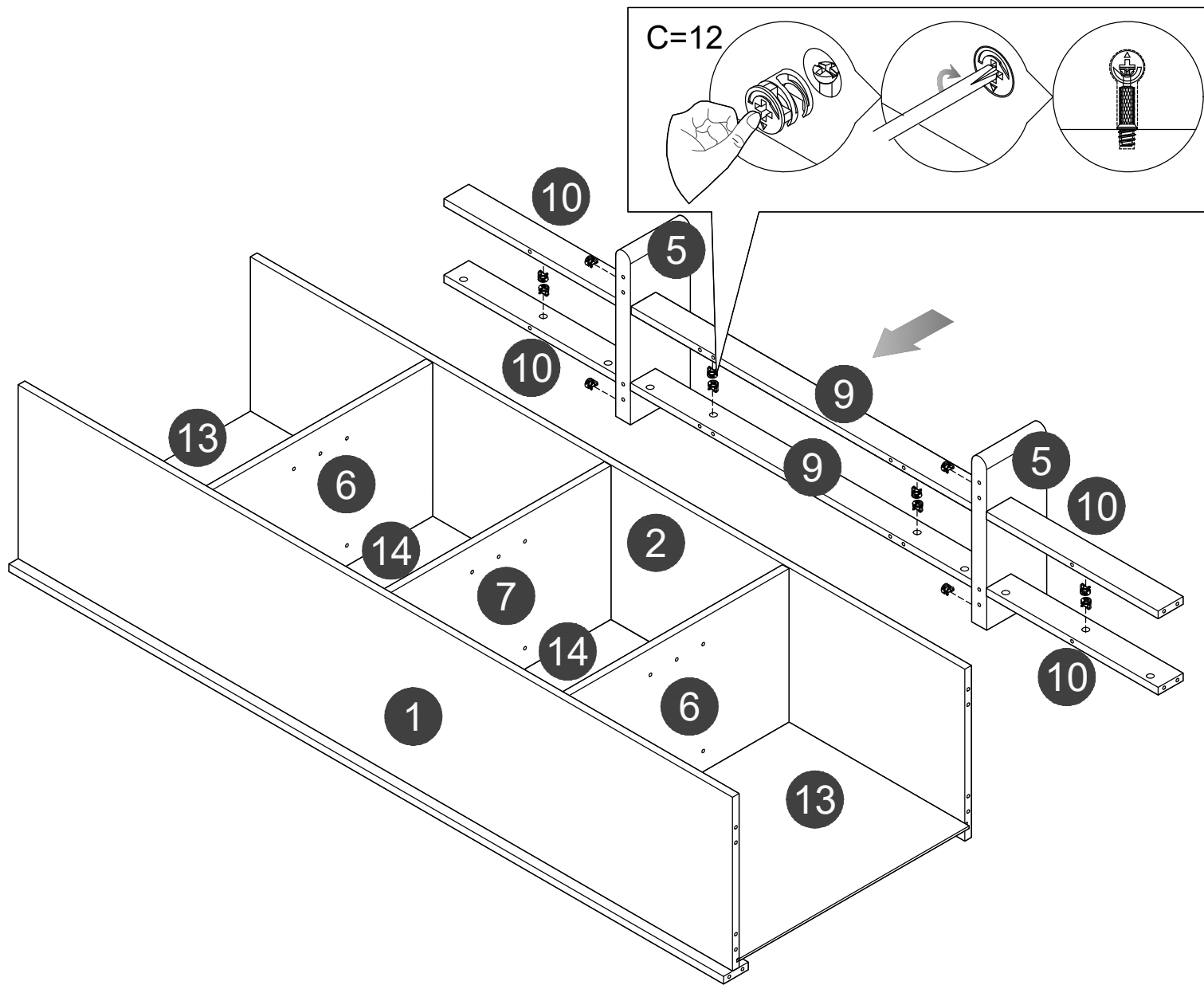
STEP 6



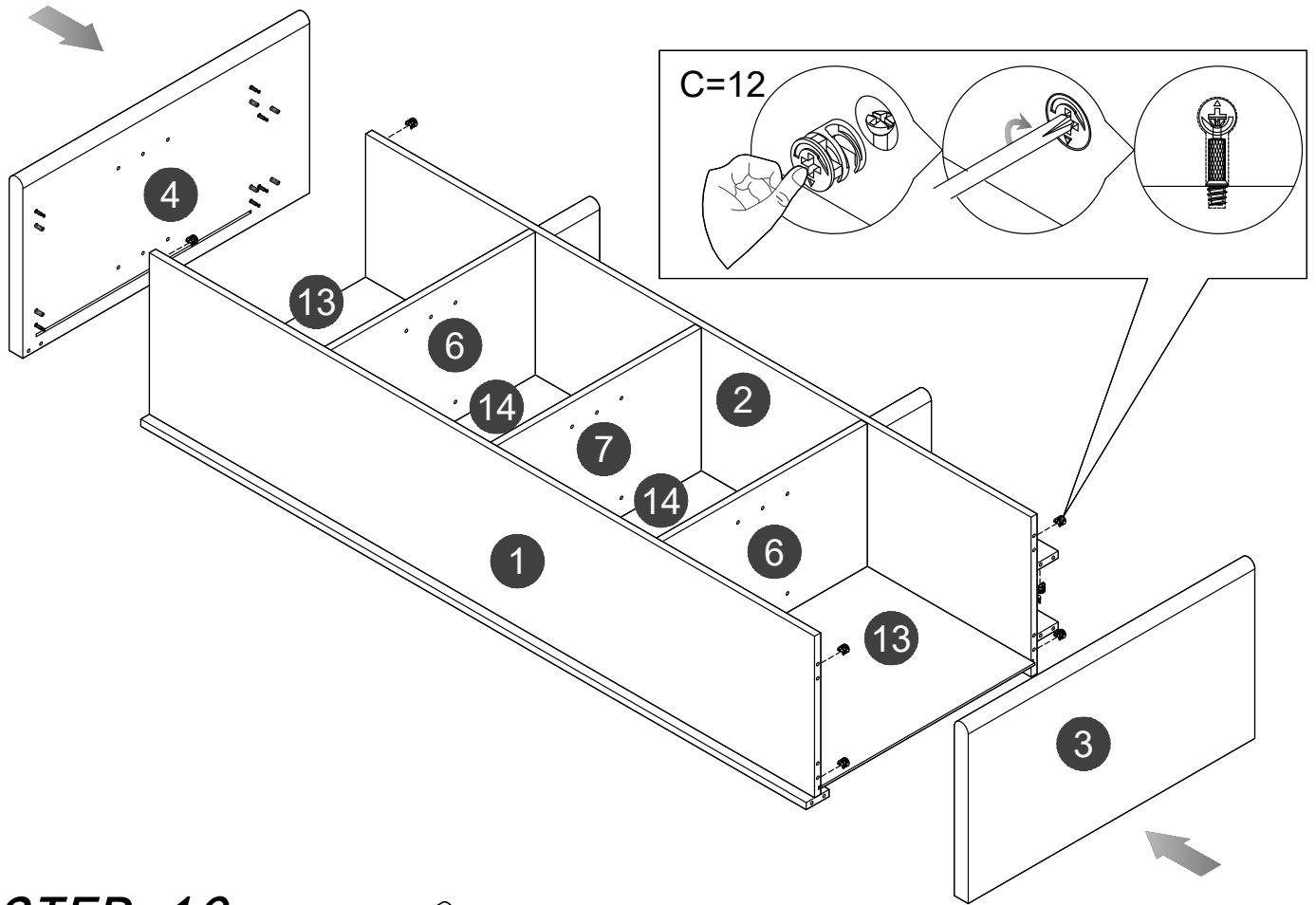
STEP 7



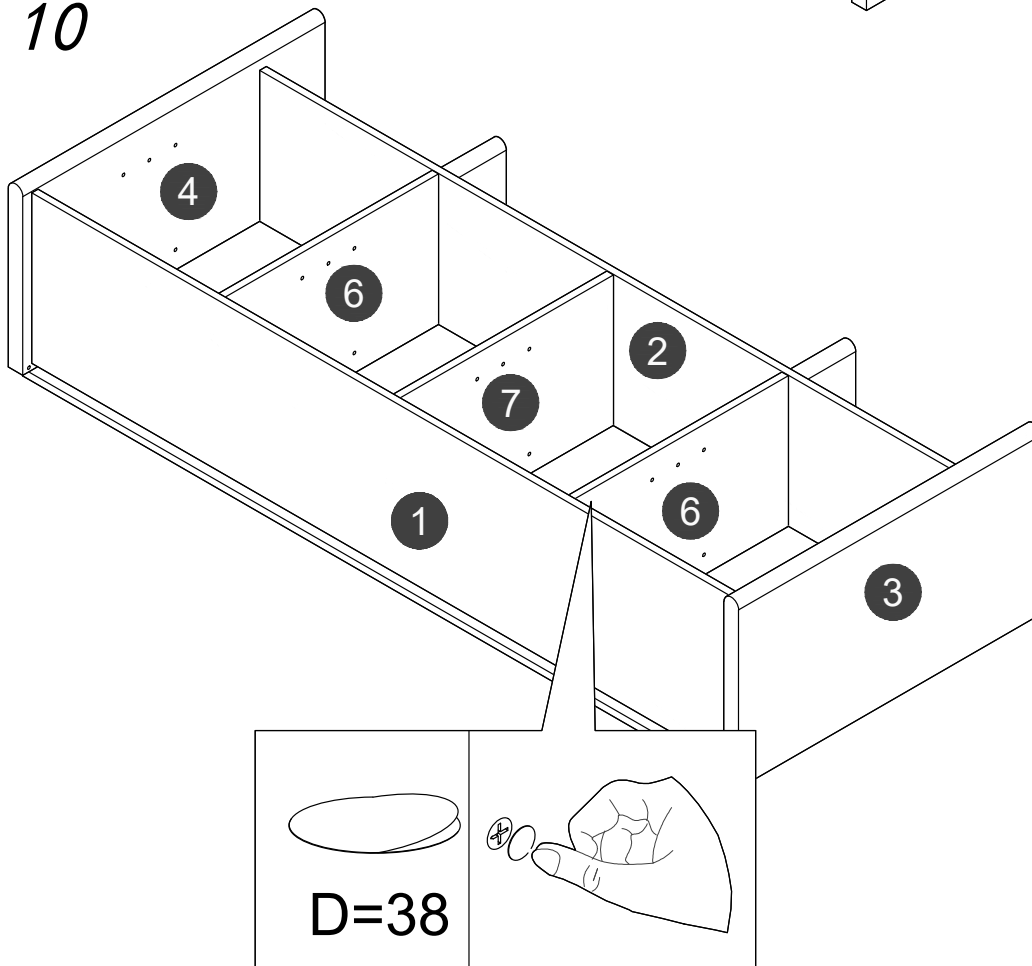
STEP 8



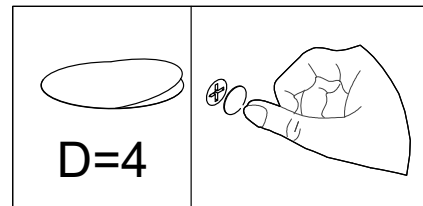
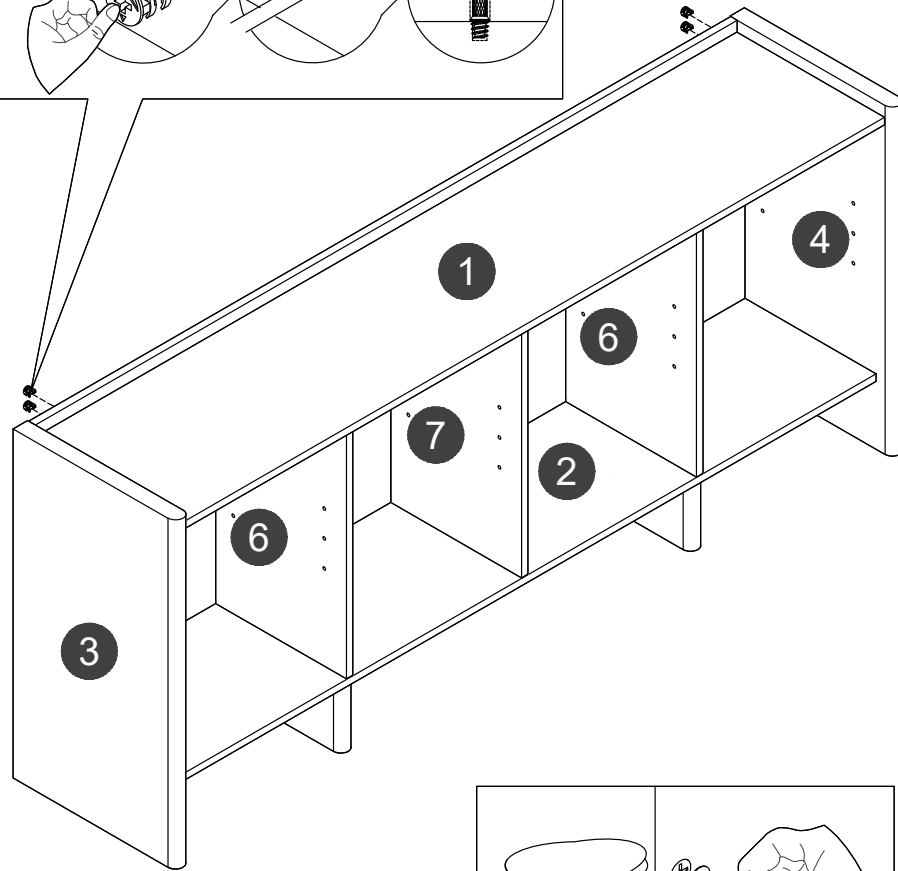
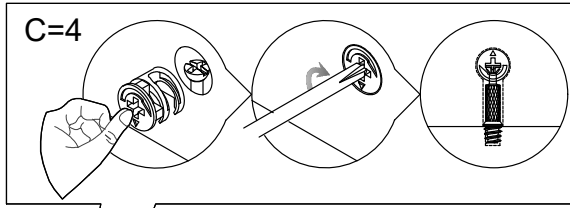
STEP 9



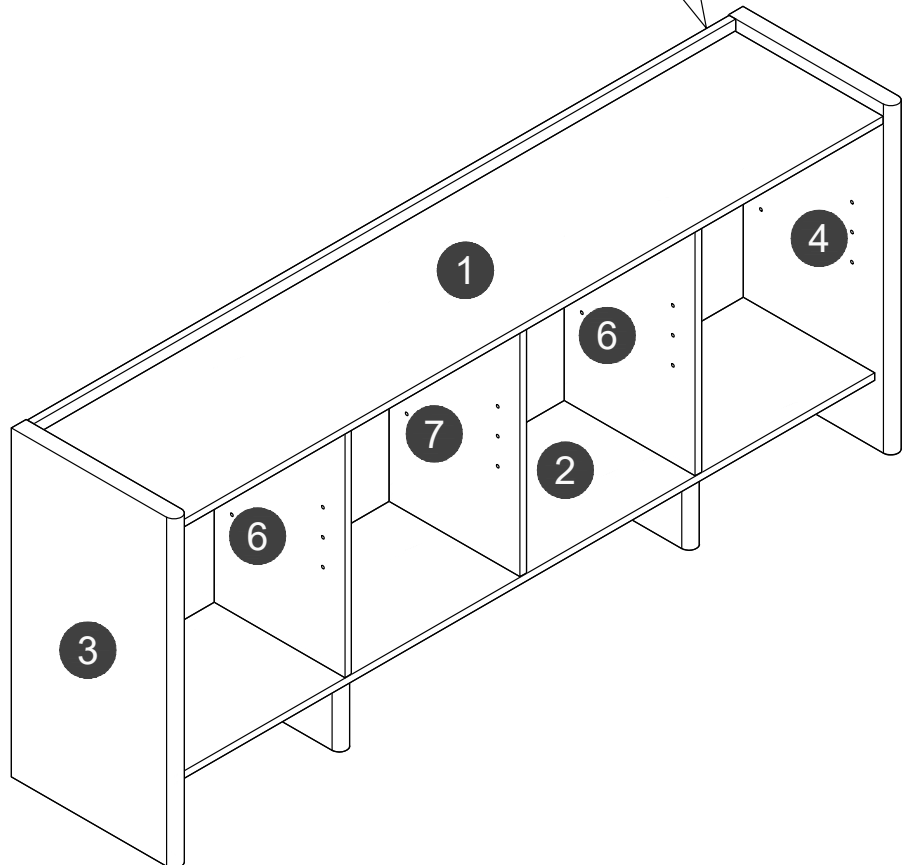
STEP 10



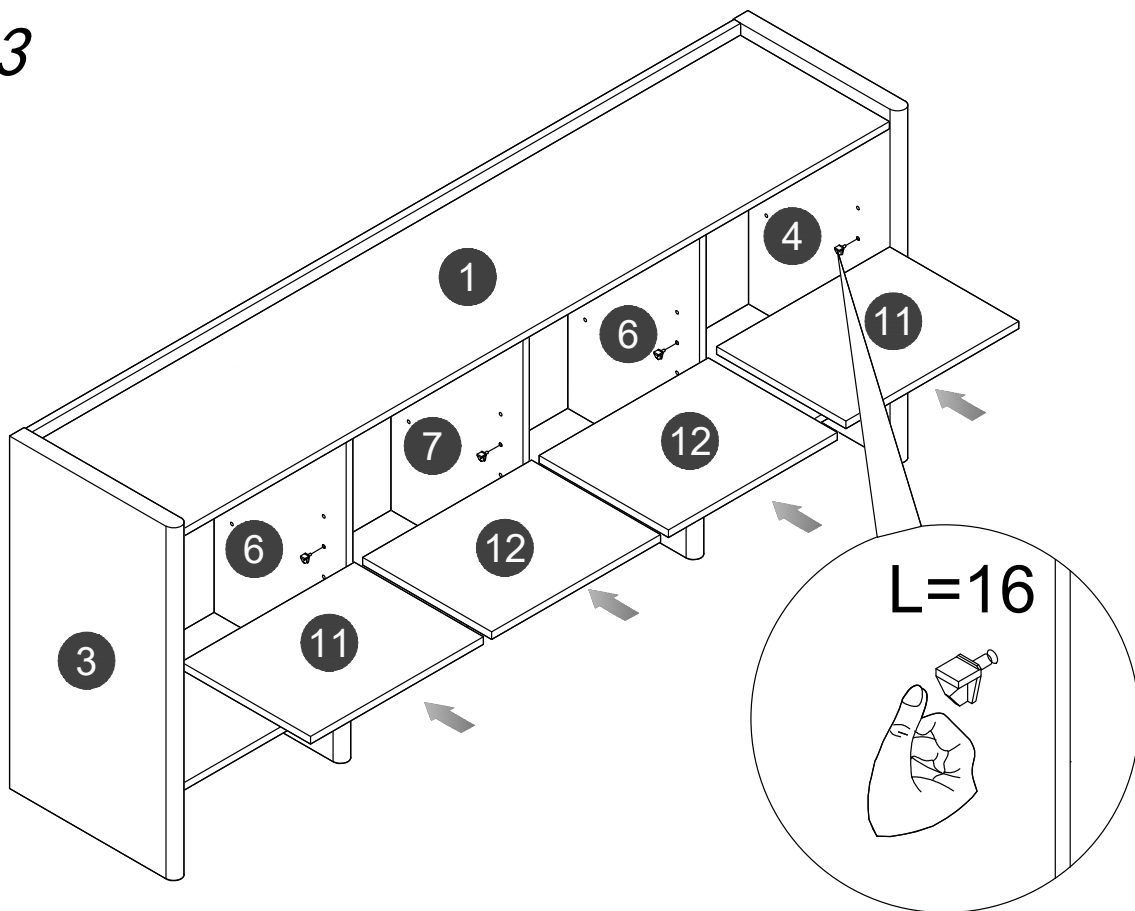
STEP 11



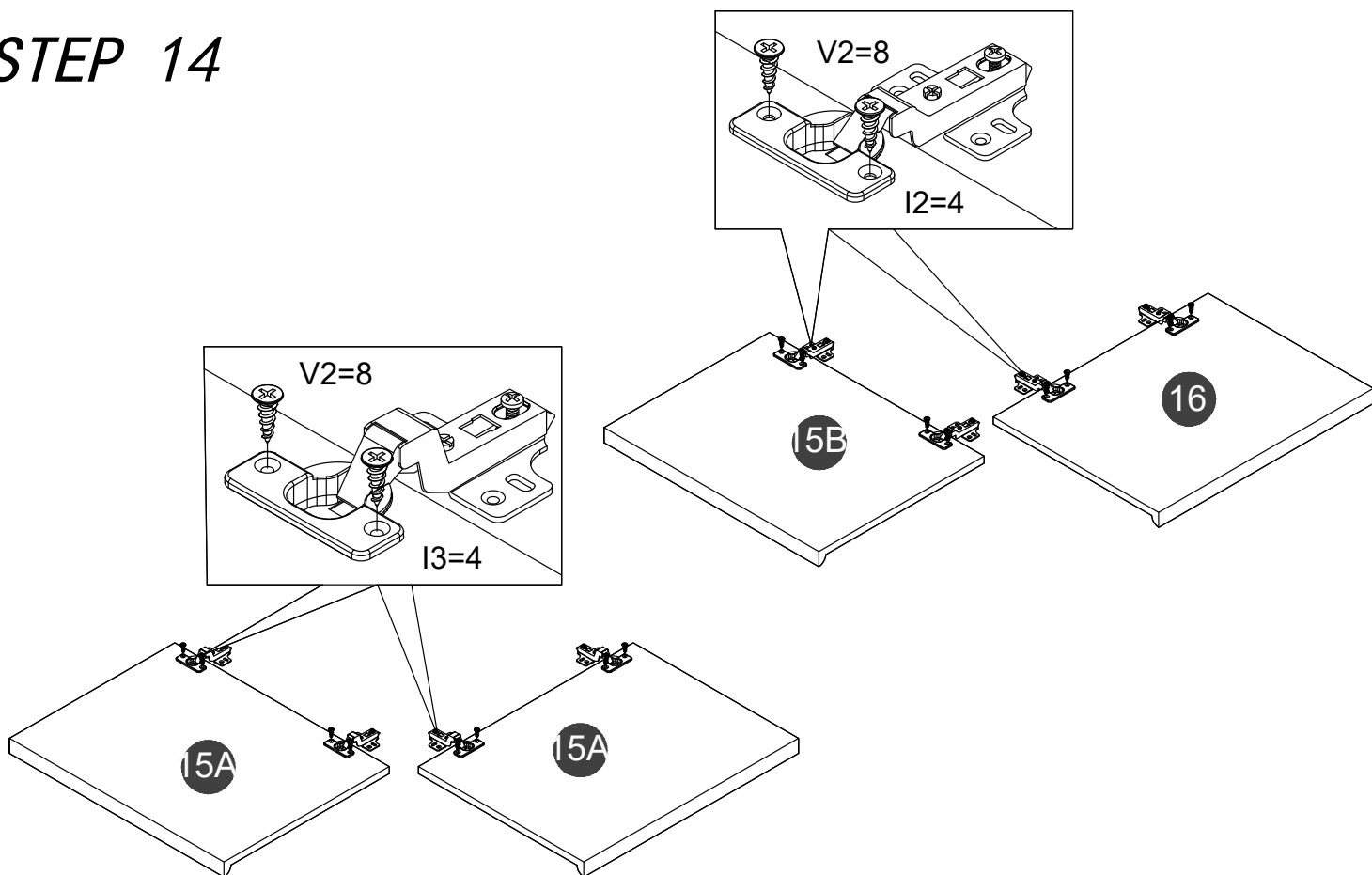
STEP 12



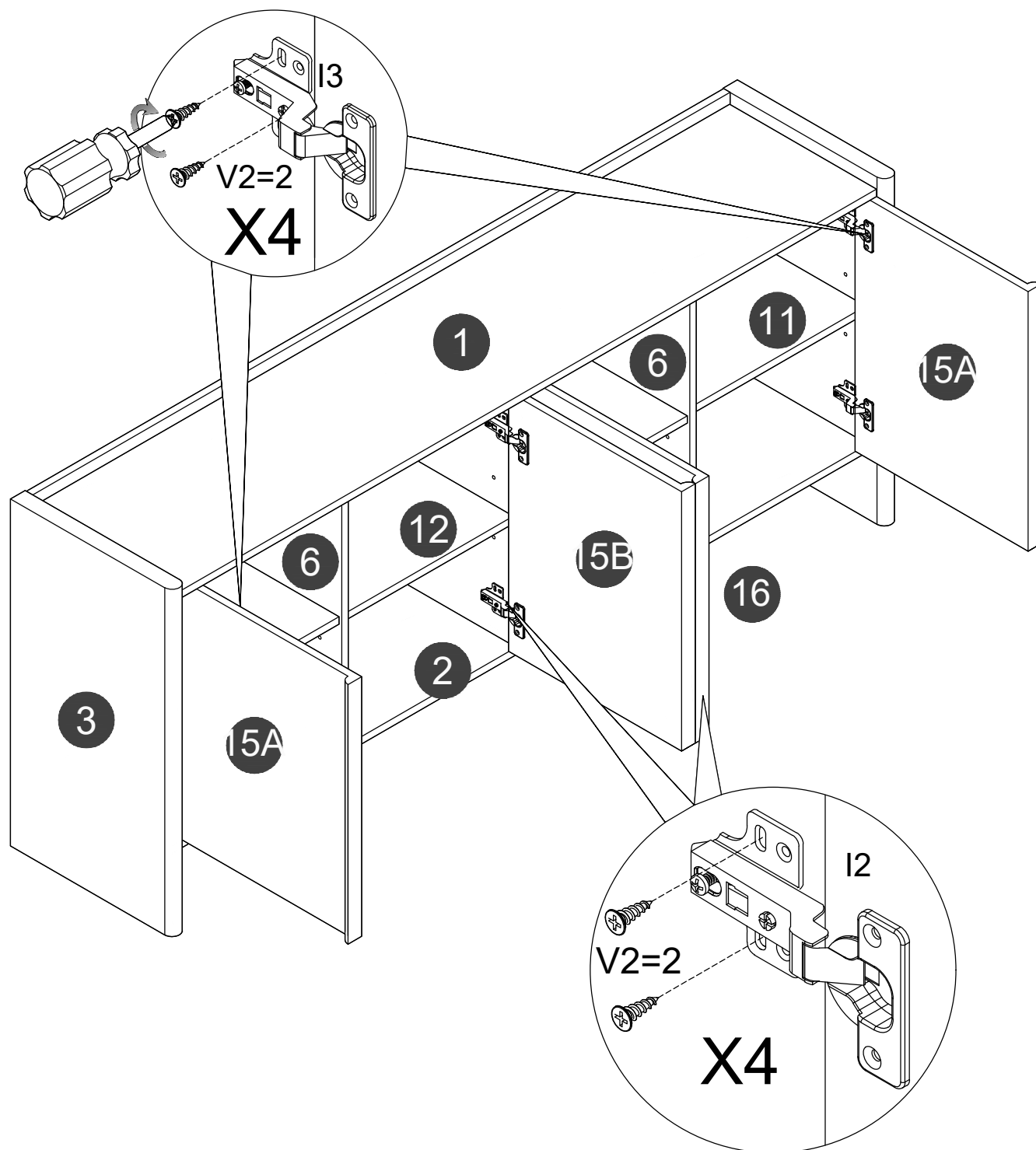
STEP 13



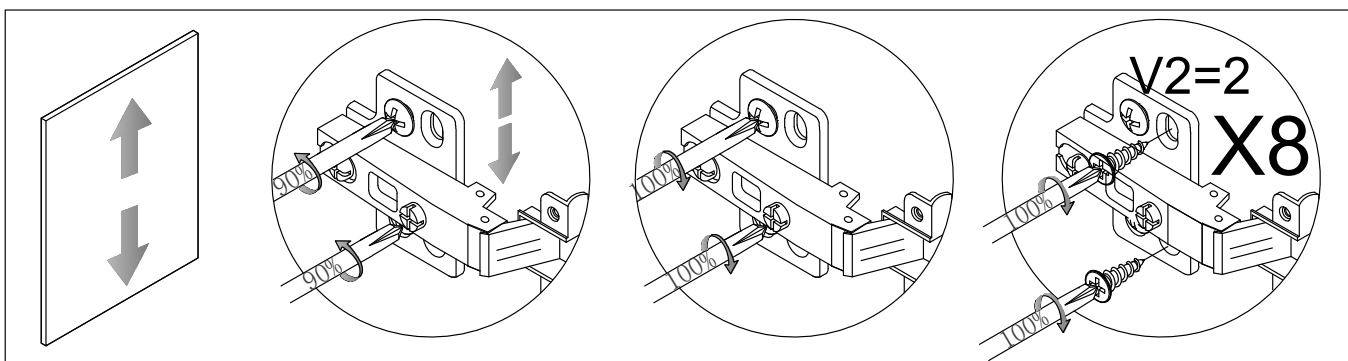
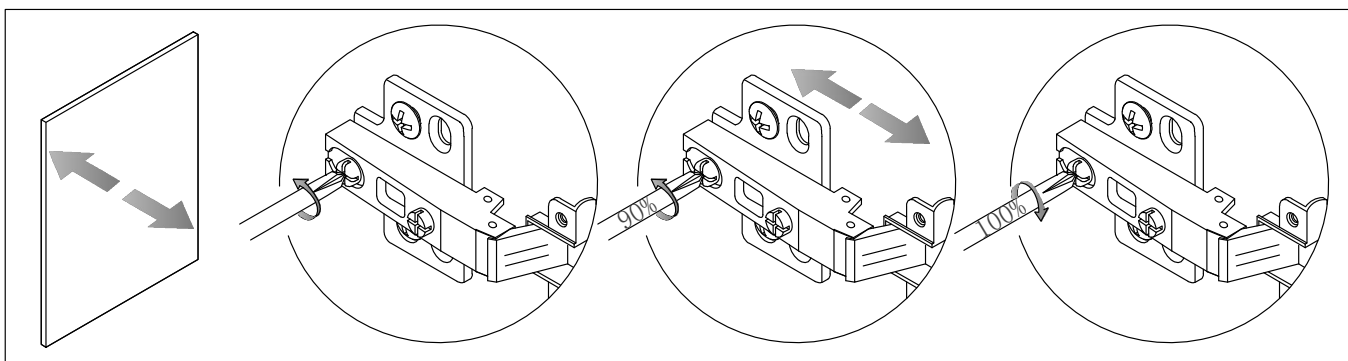
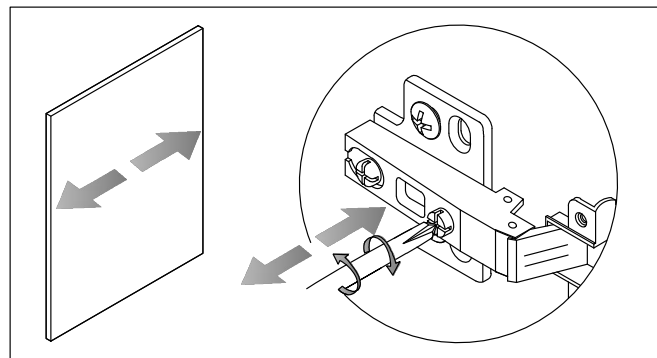
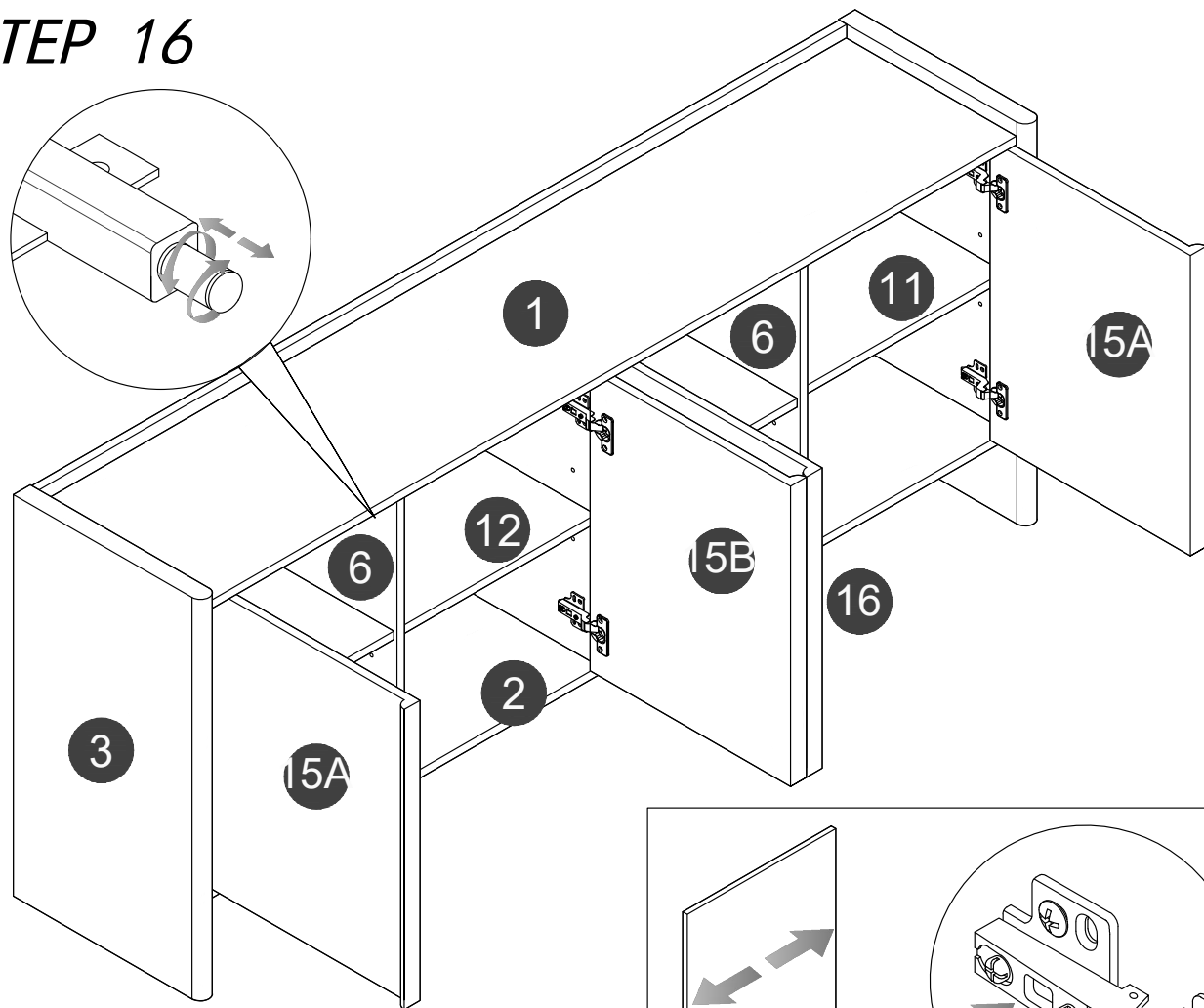
STEP 14



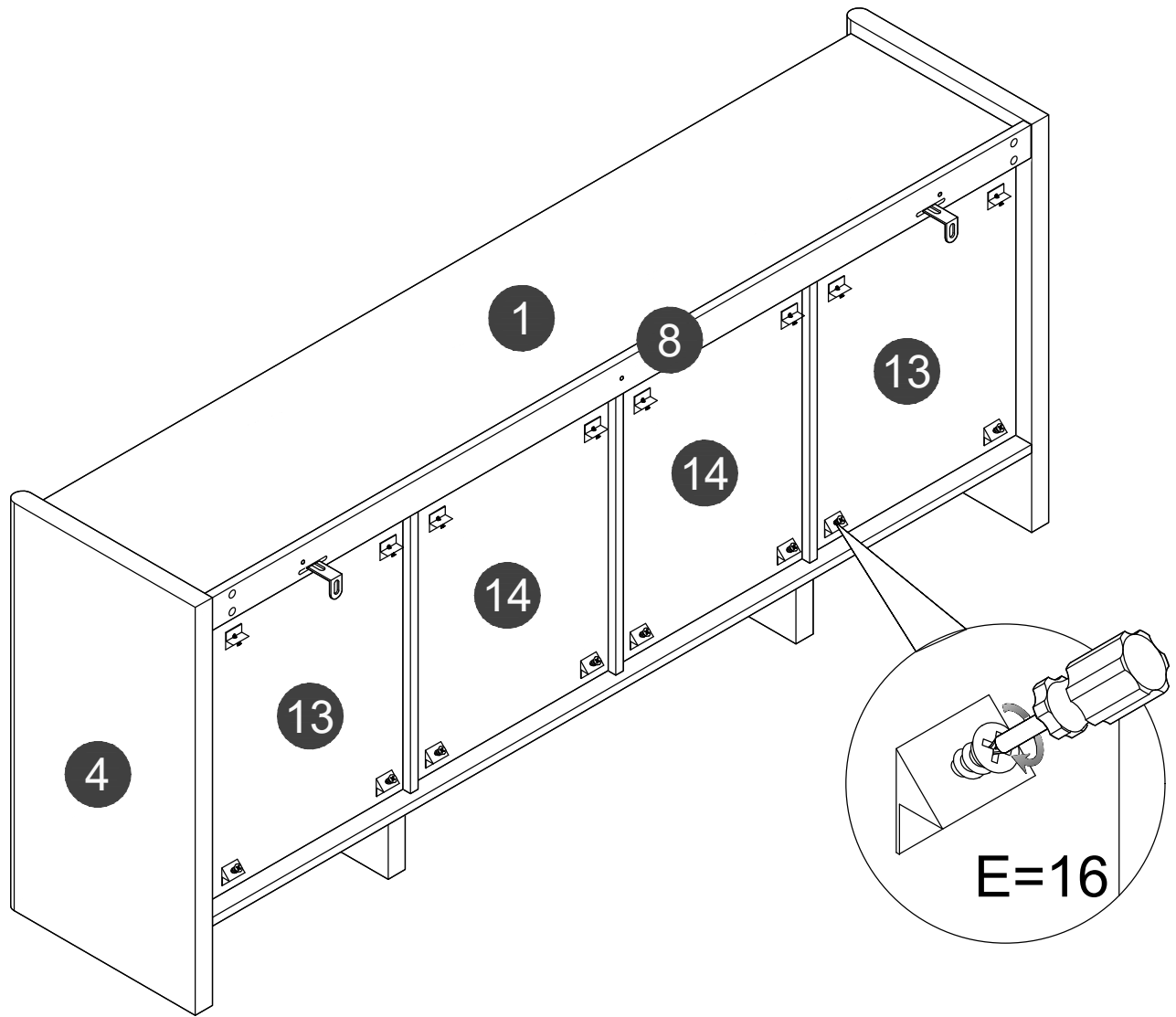
STEP 15



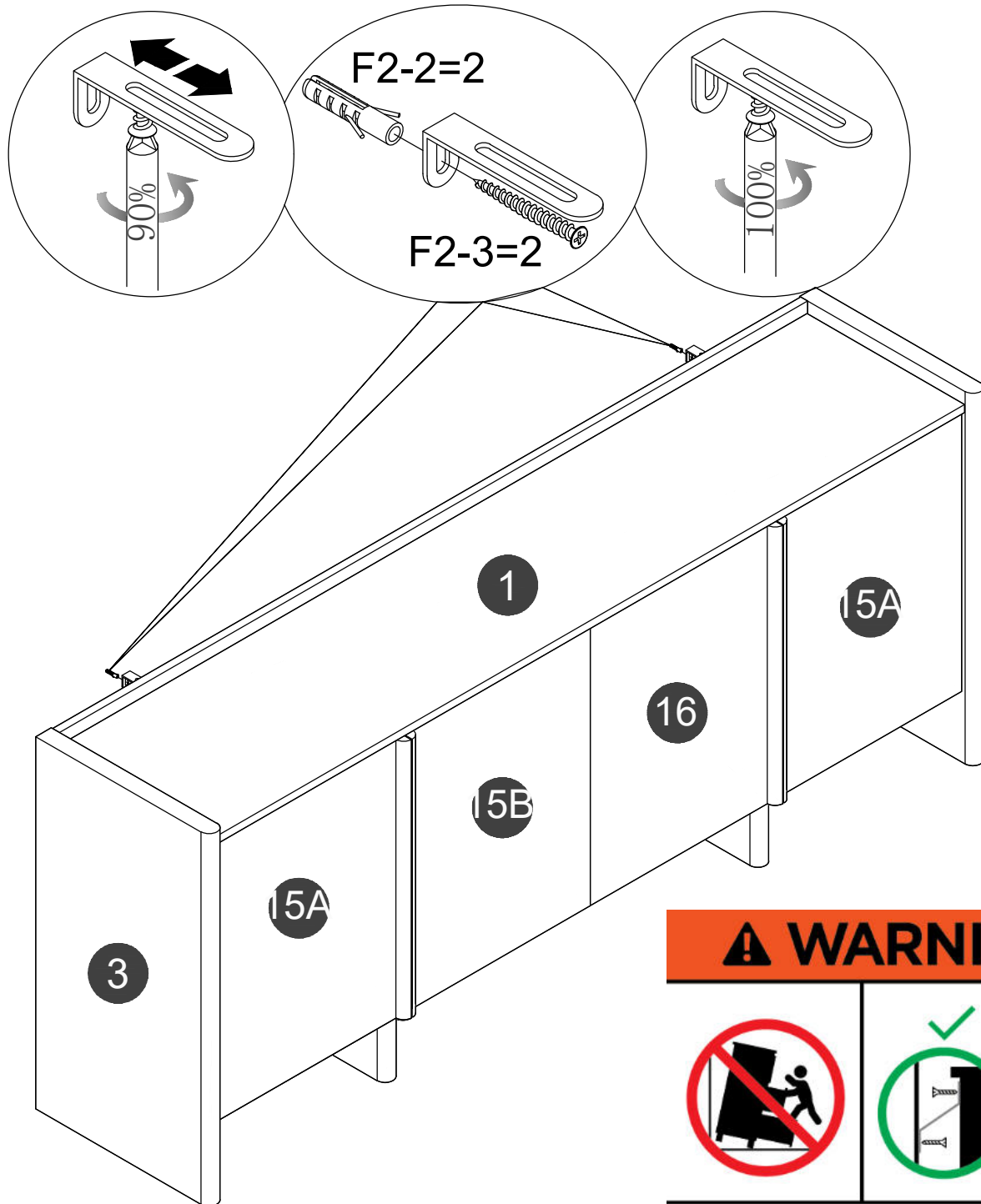
# STEP 16



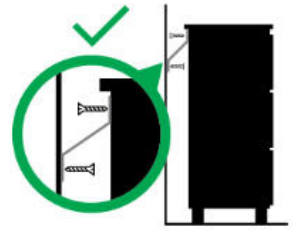
STEP 17



# STEP 18



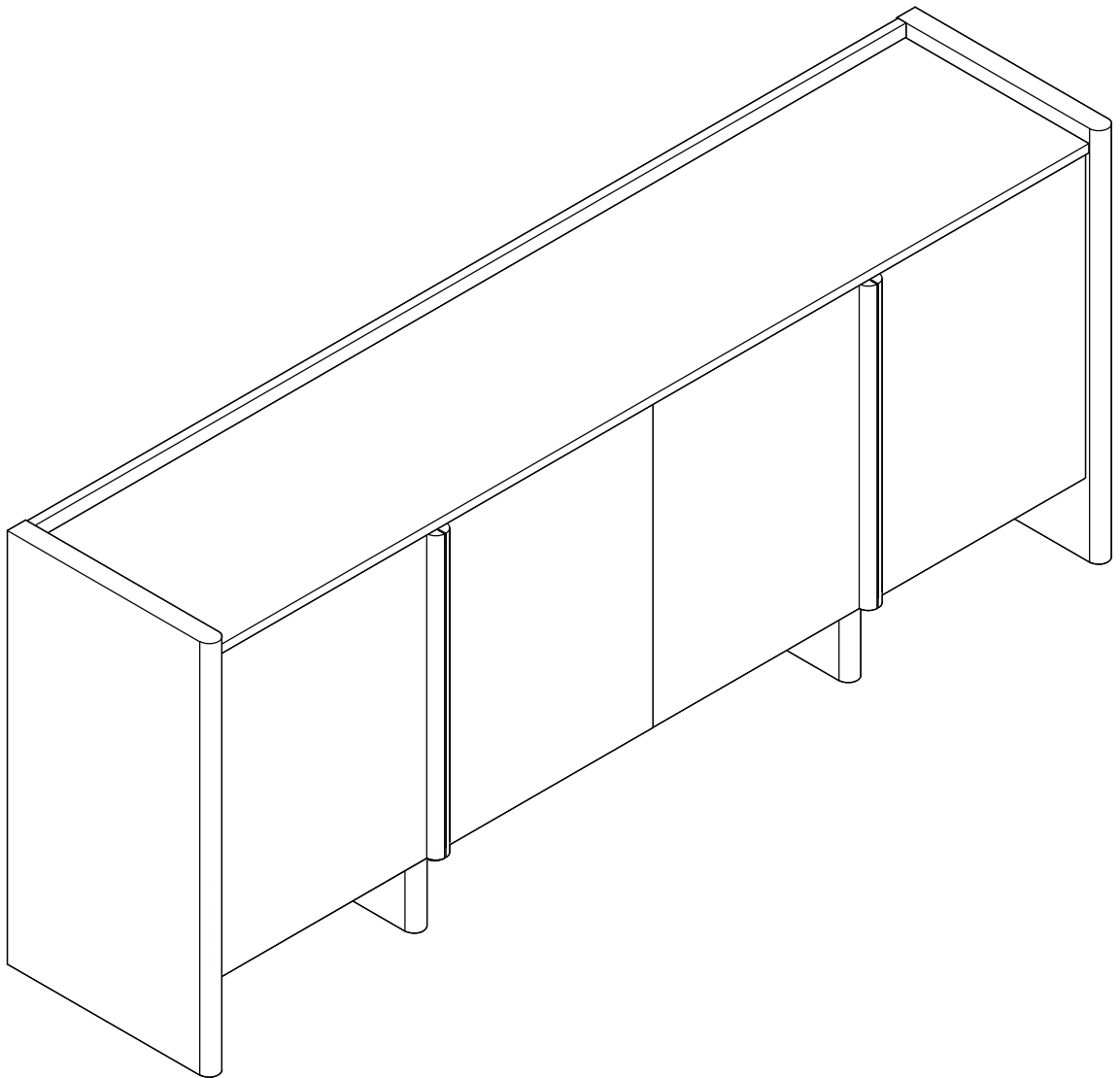
## ⚠ WARNING



**Children have died from furniture tipover.**

- ALWAYS secure this furniture with an anchor device.
- NEVER allow children to stand, climb or hang on drawers, doors, or shelves.

**STEP 19**



*Finish*