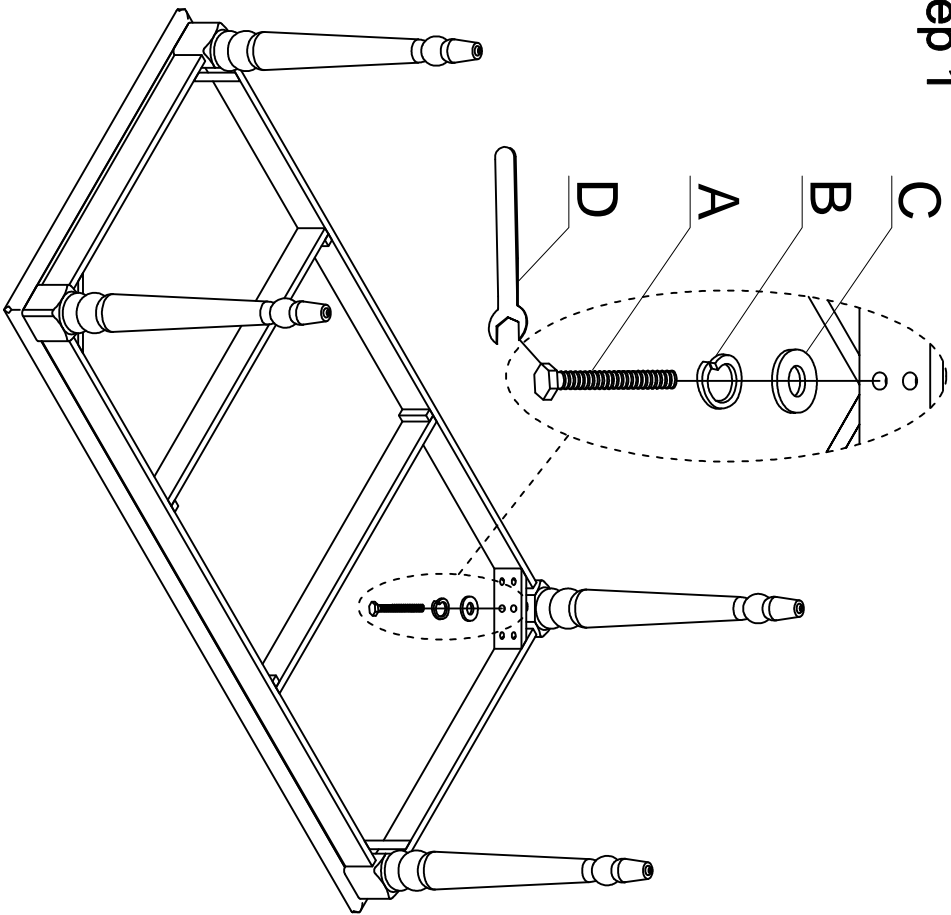
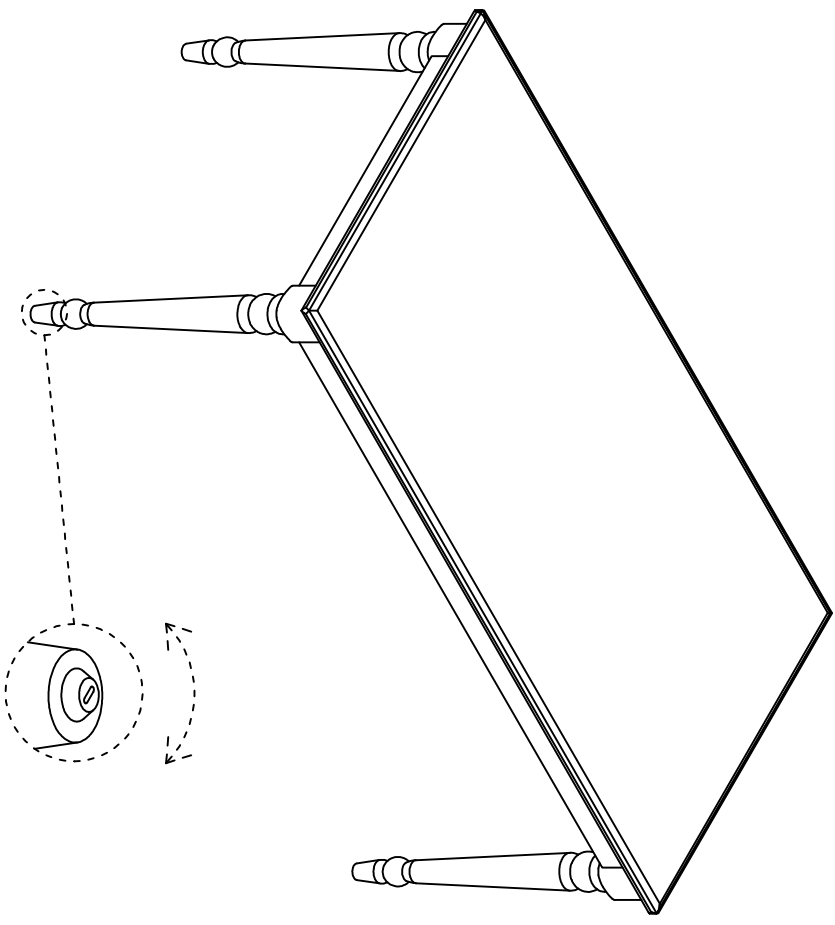


Step 1







- During assembly, hand tighten bolts only.
When the bolts are in place, tighten completely.
Please DO NOT use power tool such as drill or electric screwdrivers
which could cause irreparable damage to the product.

Step 2



Please use the adjustable knobs to level the table

| Parts List | A | 8 Pcs | B | 8 Pcs | C | 8 Pcs | D | 1 Pc |
|------------|-----------------------------------------------------------------------------------|-------|-----------------------------------------------------------------------------------|-------|-------------------------------------------------------------------------------------|-------|-------------------------------------------------------------------------------------|------|
| |  | |  | |  | |  | |
| | Bolt M10x60mm | | Lock washer Ø10 | | Washer Ø10/Ø20 | | Allen key | |