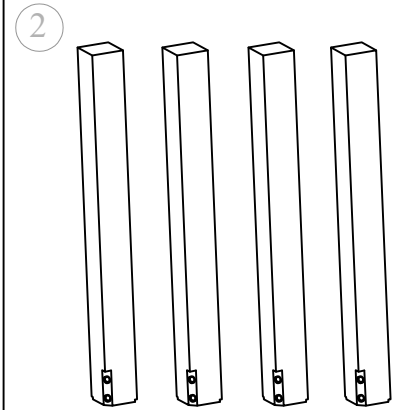
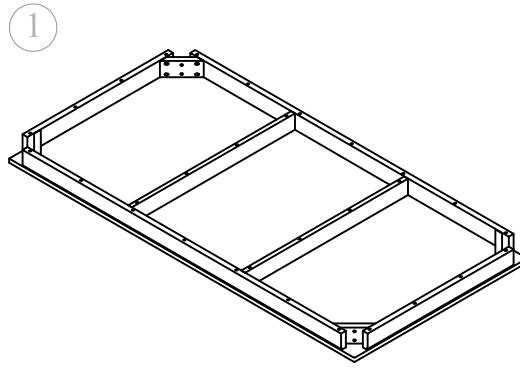
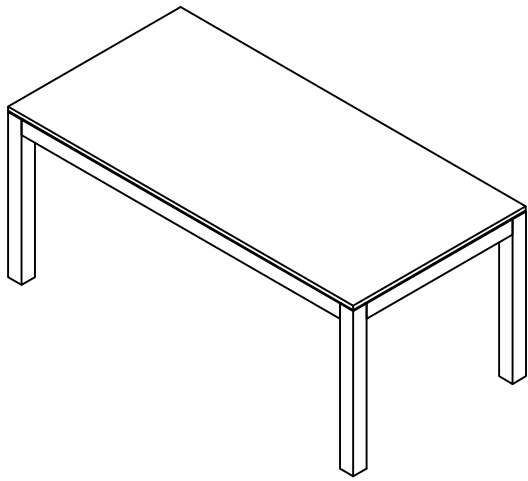

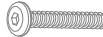




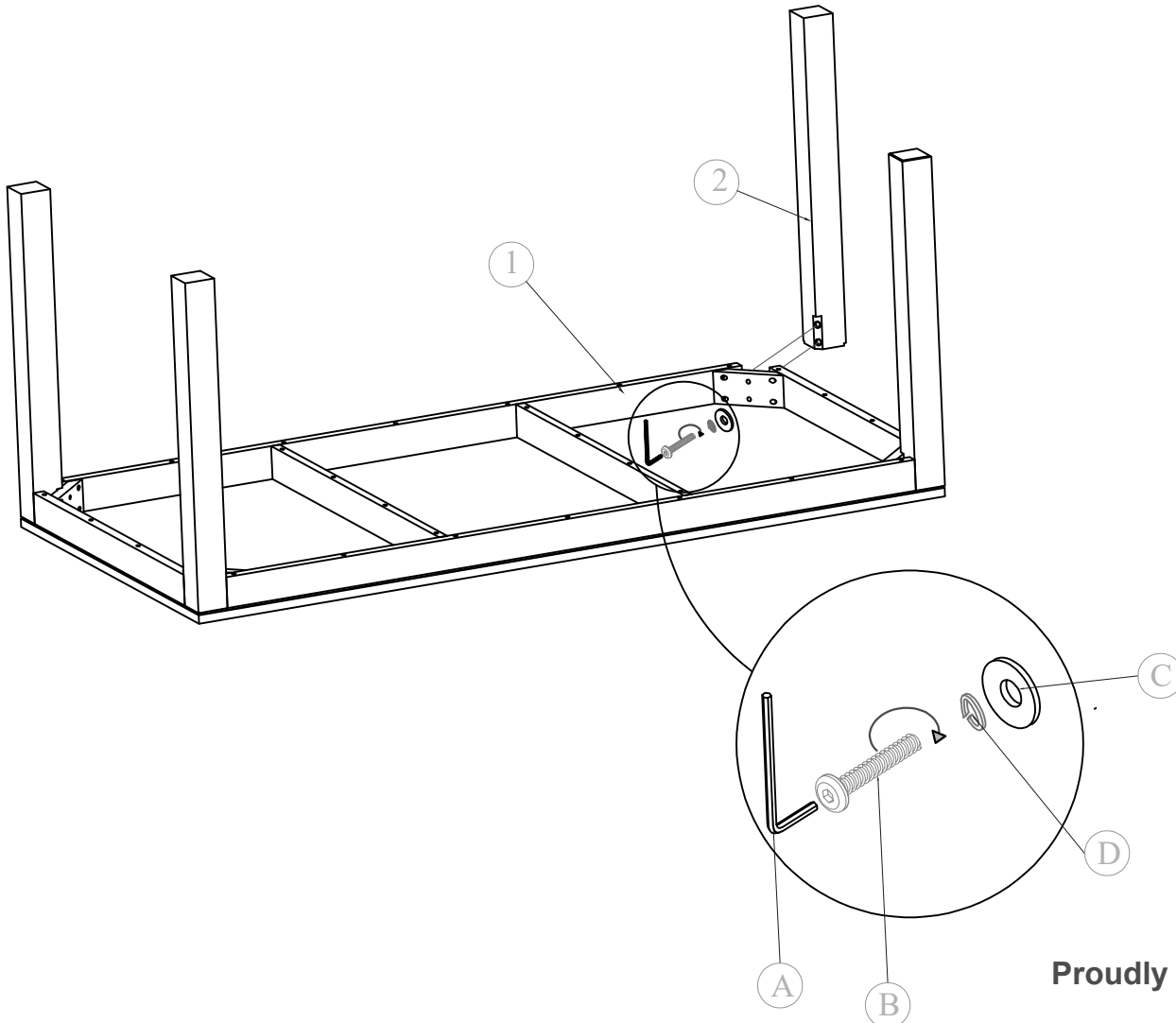
# Assembly Instructions

## 1800 DINING TABLE



### HARDWARE LIST

No.	Description	Drawing	Size	Q'ty
(A)	Allenkey		K4x23x59	1
(B)	1h bolt		M8x55	8
(C)	Washer		M8	8
(D)	Spring washer		M8	8



Proudly Made in Vietnam