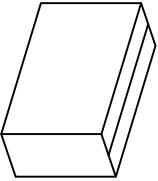

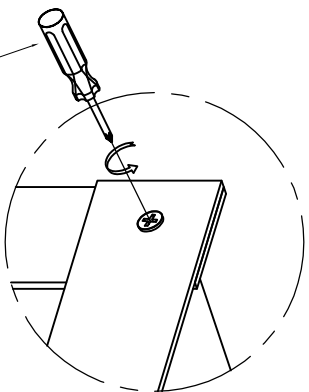


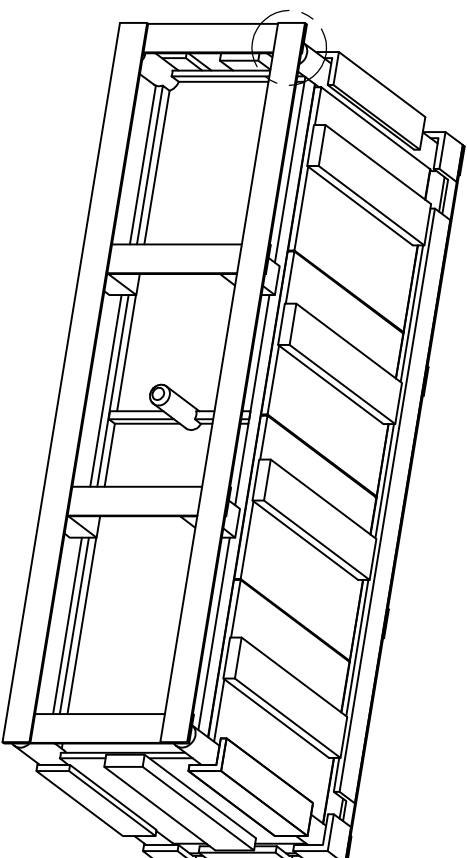
ASSEMBLY INSTRUCTION SPINTARA 4 DOOR SIDEBOARD LIGHT OAK

| NO | DRAWING | DESCRIPTION | QTY |
|----------------------|---|-------------------------|-----|
| A |  | 4 DOOR SIDEBOARD BOX | 1 |
| HARDWARE LIST | | | |
| NO | DRAWING | DESCRIPTION | QTY |
| ① |  | Leveler | 5 |

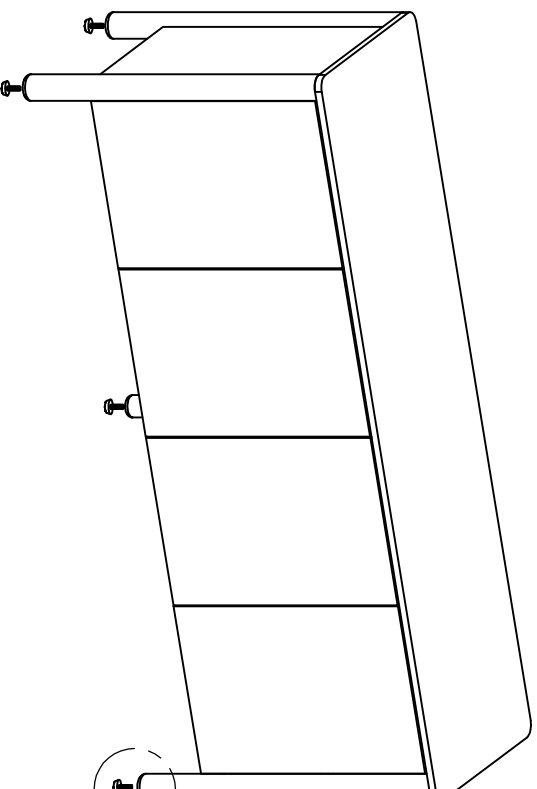
STEP 1



Not included



FINISH



Adjustable Leveler

