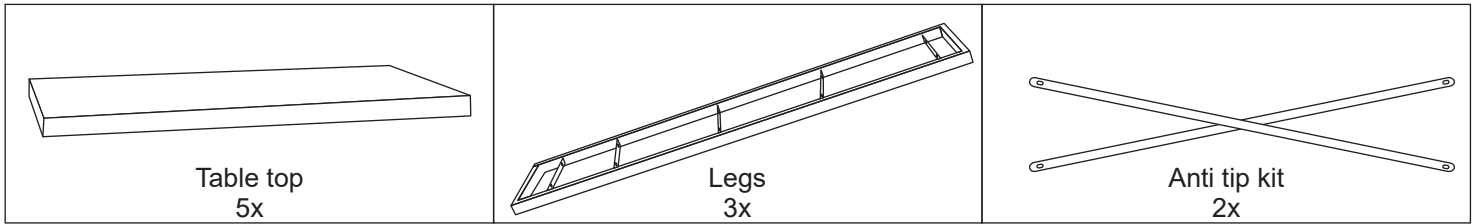


ASSEMBLY INSTRUCTIONS

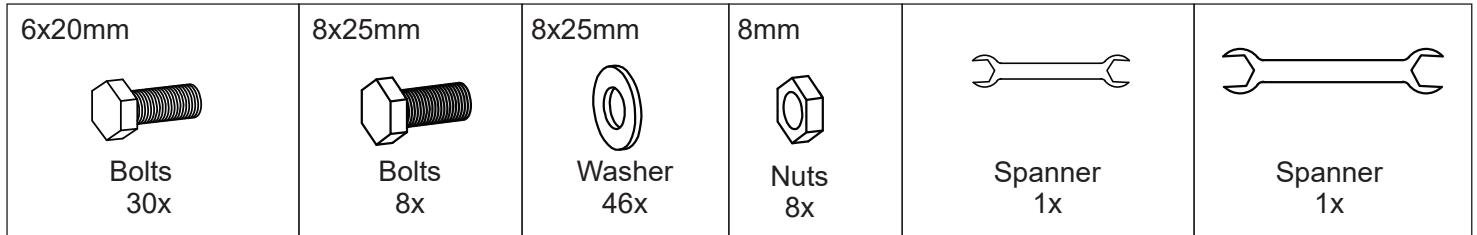
BOOKSHELF

SKU: 90016343

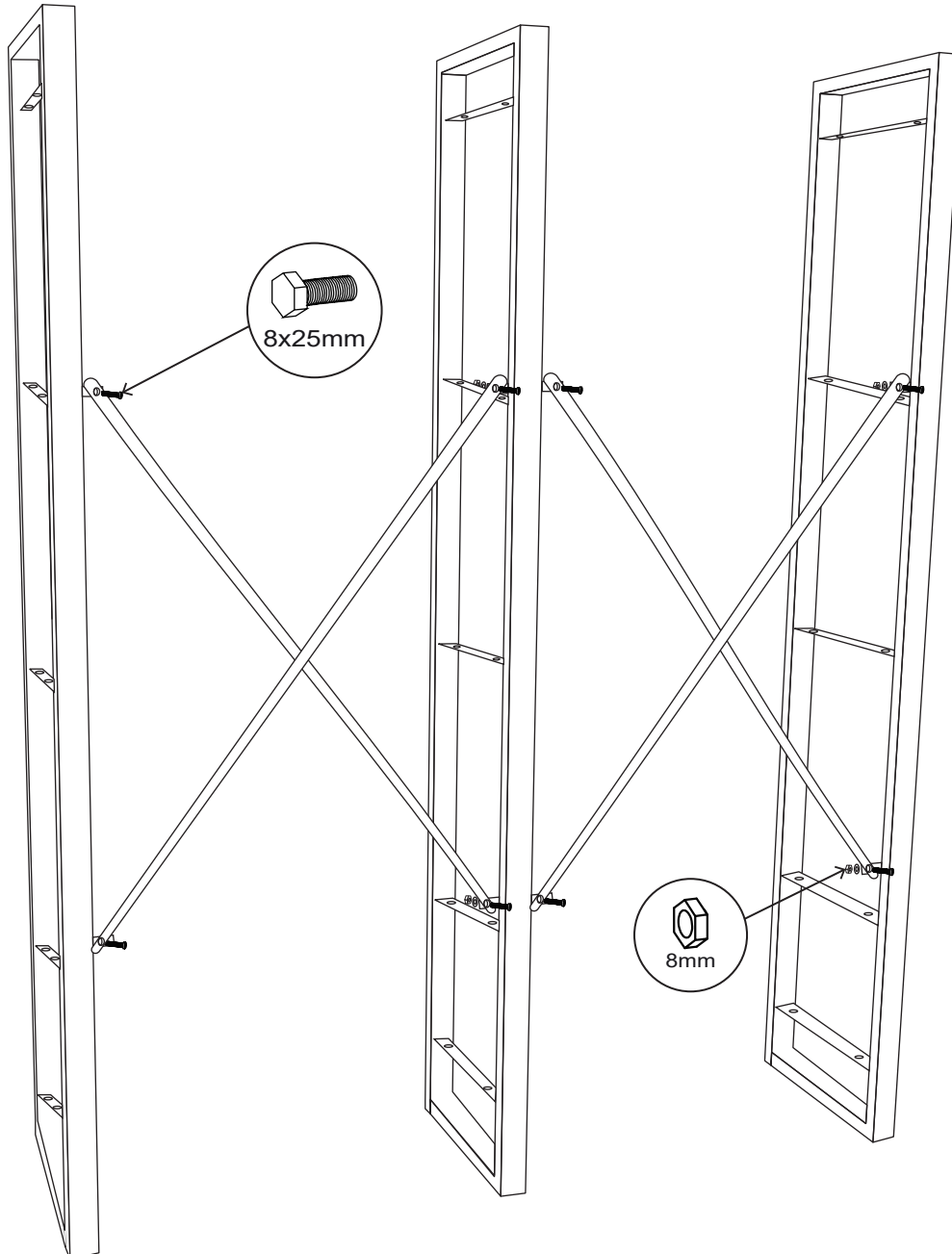
COMPONENTS



HARDWARE & TOOLS



1



⚠ WARNING

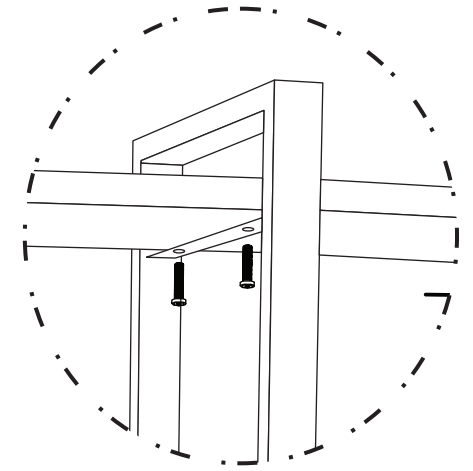


Children have died from furniture tipover.

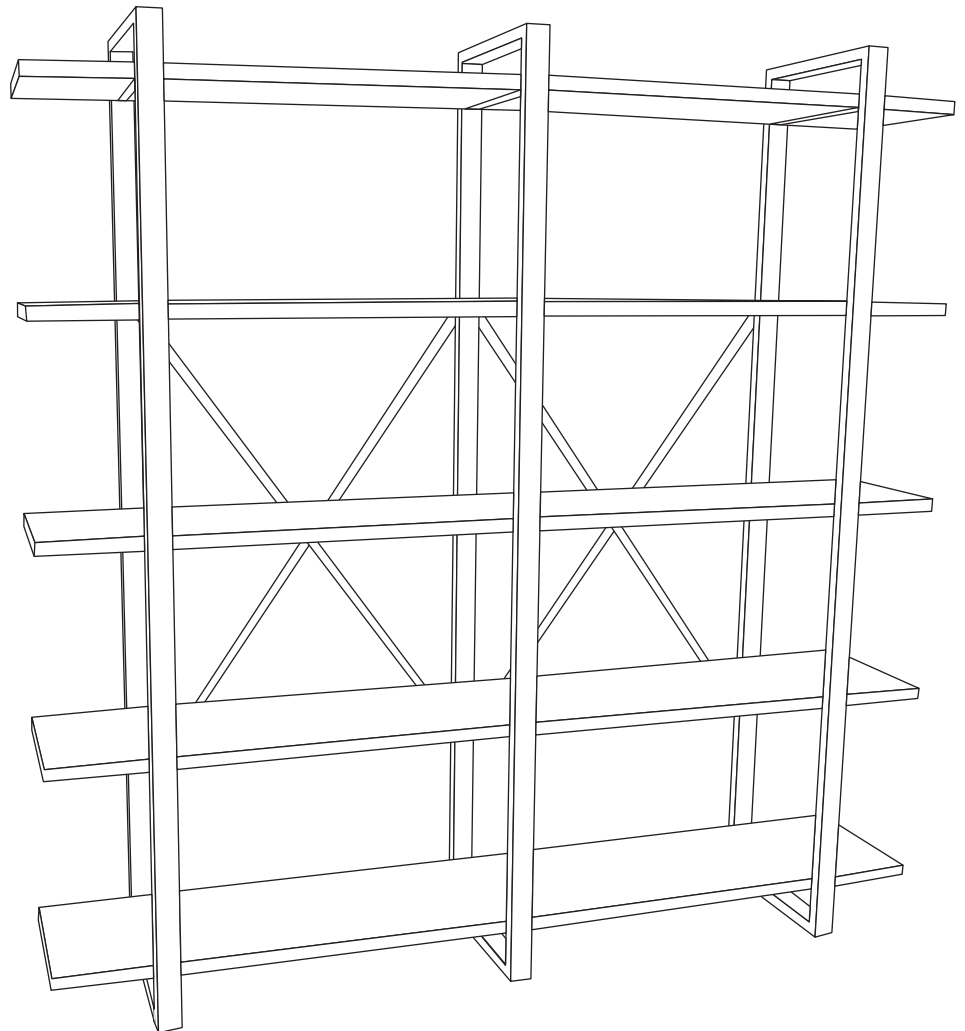
- ALWAYS secure this furniture with an anchor device.
- NEVER allow children to stand, climb or hang on drawers, doors, or shelves.
- NEVER open more than one drawer at a time.
- Place heavy items down low.

NEVER put a TV on this furniture 

2



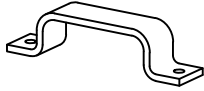
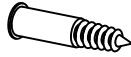

3

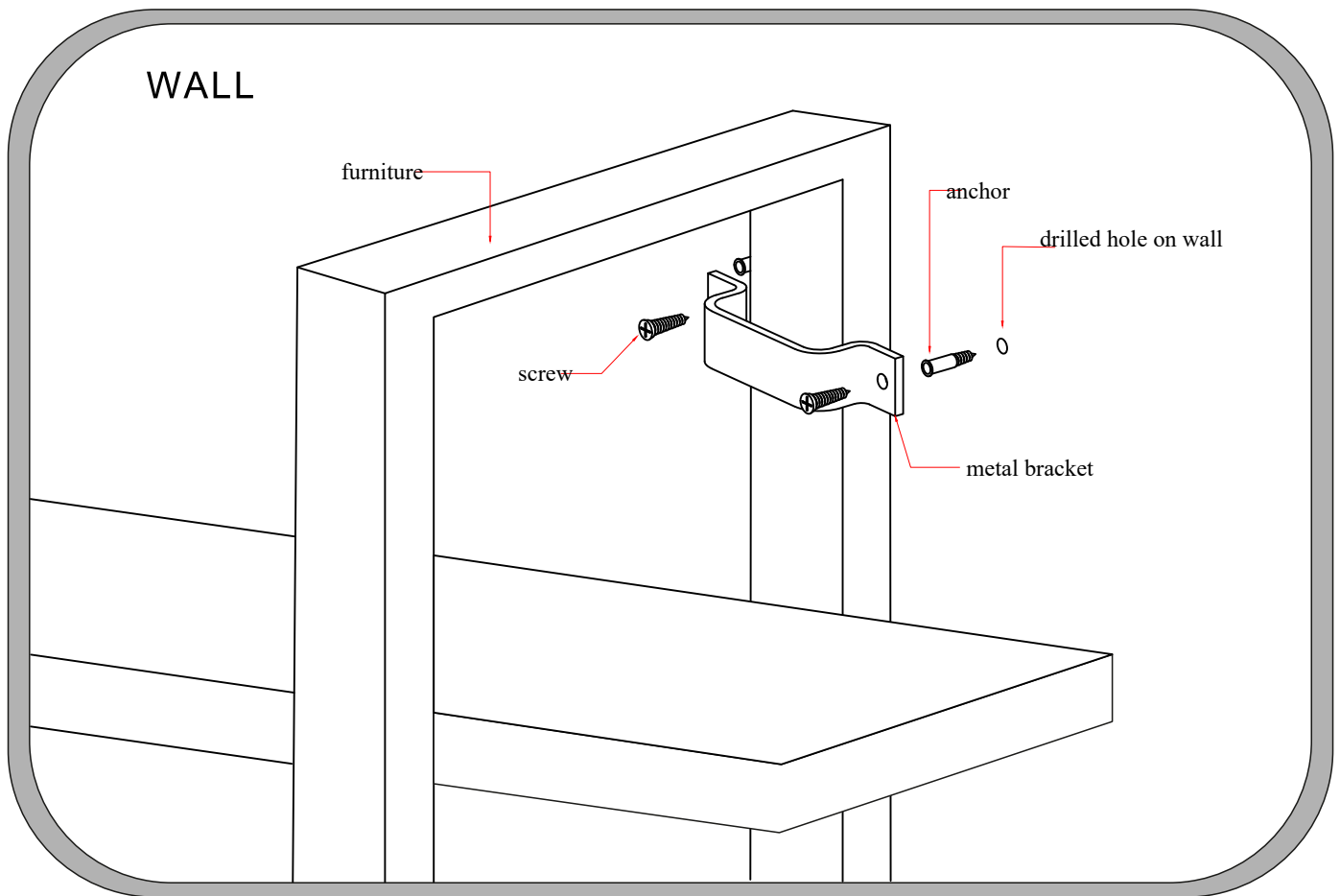


ASSEMBLY INSTRUCTIONS

Anti-tipping Hardware Kit

HARDWARE & TOOLS

 <p>Bracket 2x</p>	 <p>Anchor 4x</p>	4x25mm	 <p>Screw 4x</p>
---	--	--------	---



STEPS:

- Mark stud locations on wall with corresponding locations at top of furniture
- Move furniture away from wall
- Position bracket on stud
- Drill holes.
- Insert anchors into holes
- Move furniture close to the wall and line up the brackets as shown above.
- Tighten the screws into wall through bracket with help of screw driver.