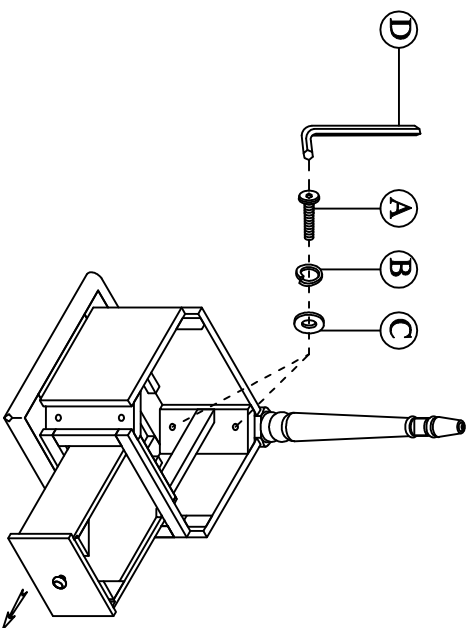
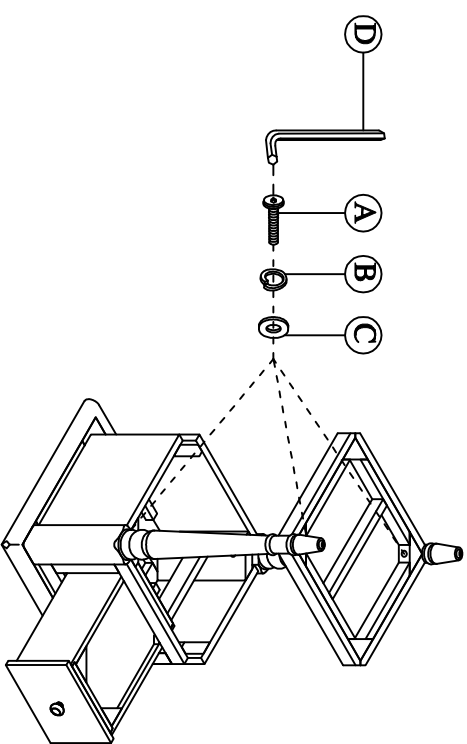


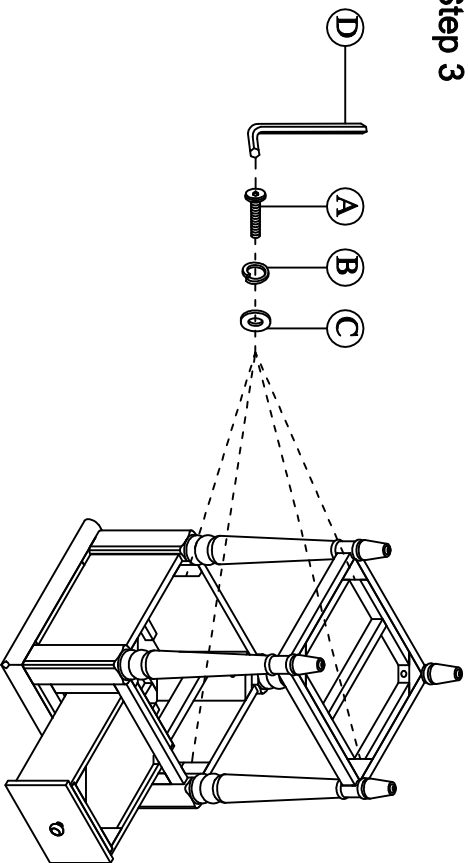
Step 1



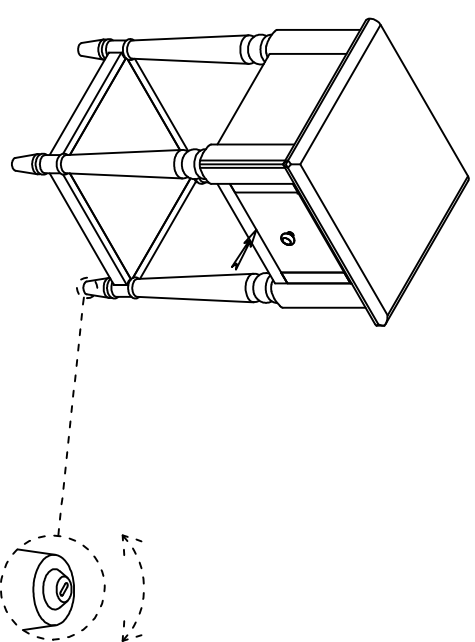
Step 2



Step 3

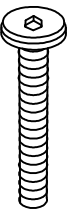


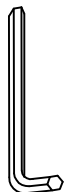


Step 4



- During assembly, hand tighten bolts only.
When the bolts are in place, tighten completely.
Please **DO NOT** use power tool such as drill or electric screwdrivers
which could cause irreparable damage to the product.

Please use the adjustable knobs to level the table

Parts List	A		12 Pcs	B		12 Pcs	C		12 Pcs	D		1 Pc
		Bolt M8x70mm			Lock washer Ø8			Washer Ø8/Ø18			Allen key	