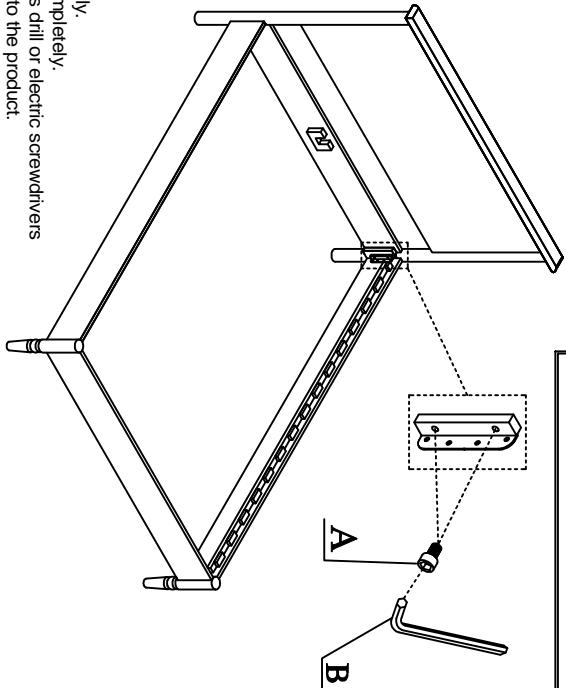
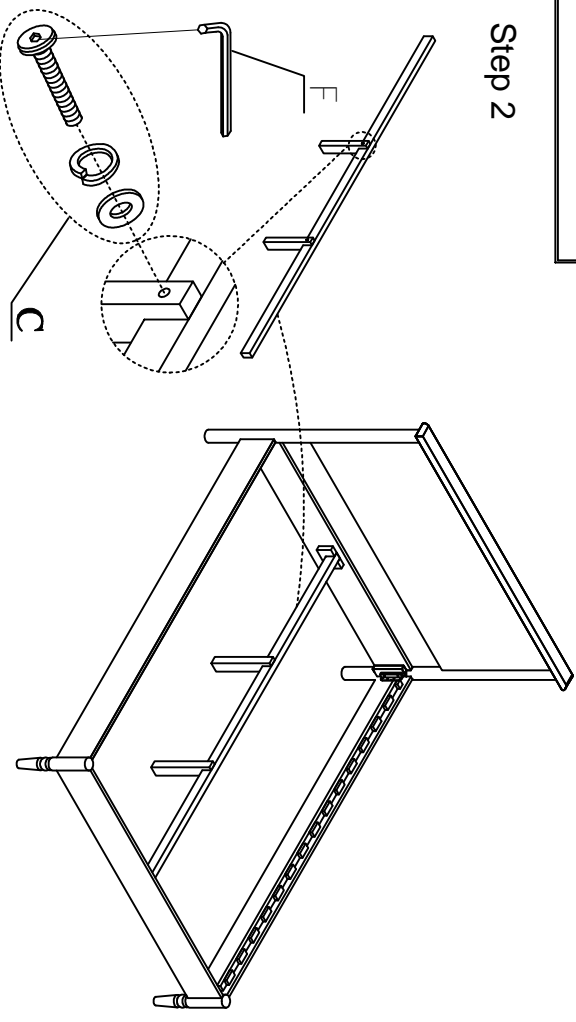


Step 1

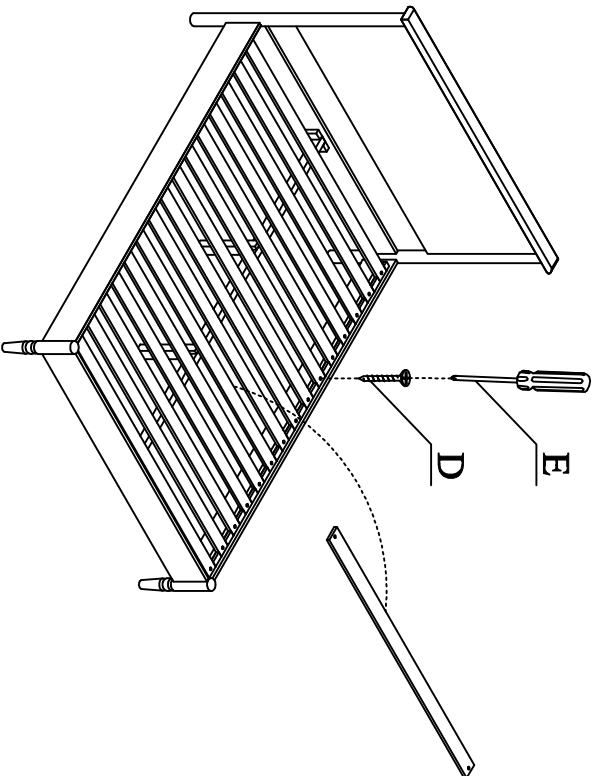


- During assembly, hand tighten bolts only.
When the bolts are in place, tighten completely.
Please DO NOT use power tool such as drill or electric screwdrivers which could cause irreparable damage to the product.

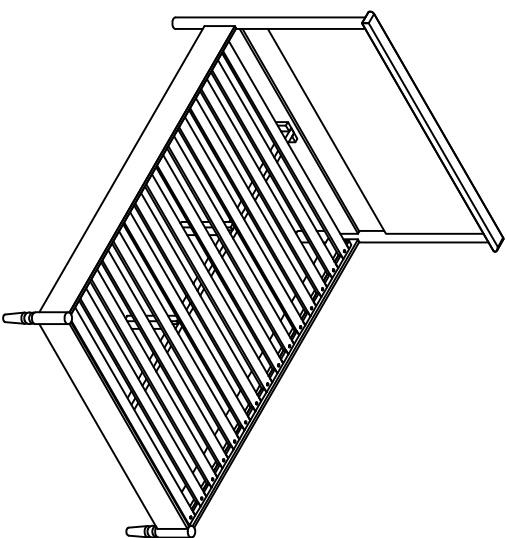
Step 2











Step 3



PICTURE



Parts List	A		8 Pcs	B		1Pc	C	 Bolt M8x40mm	2Pcs	D		1Pc
								 Lock washer Ø8		E		1Pc
								 Flat washer Ø8-Ø18		F		28Pcs