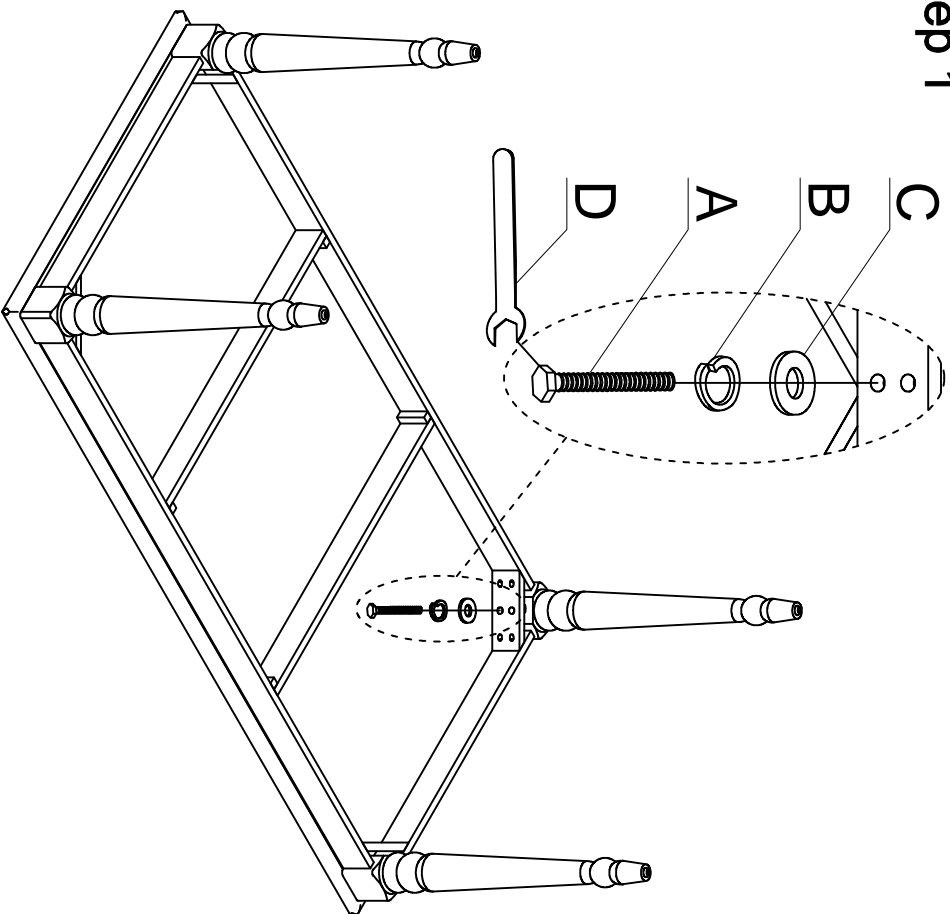
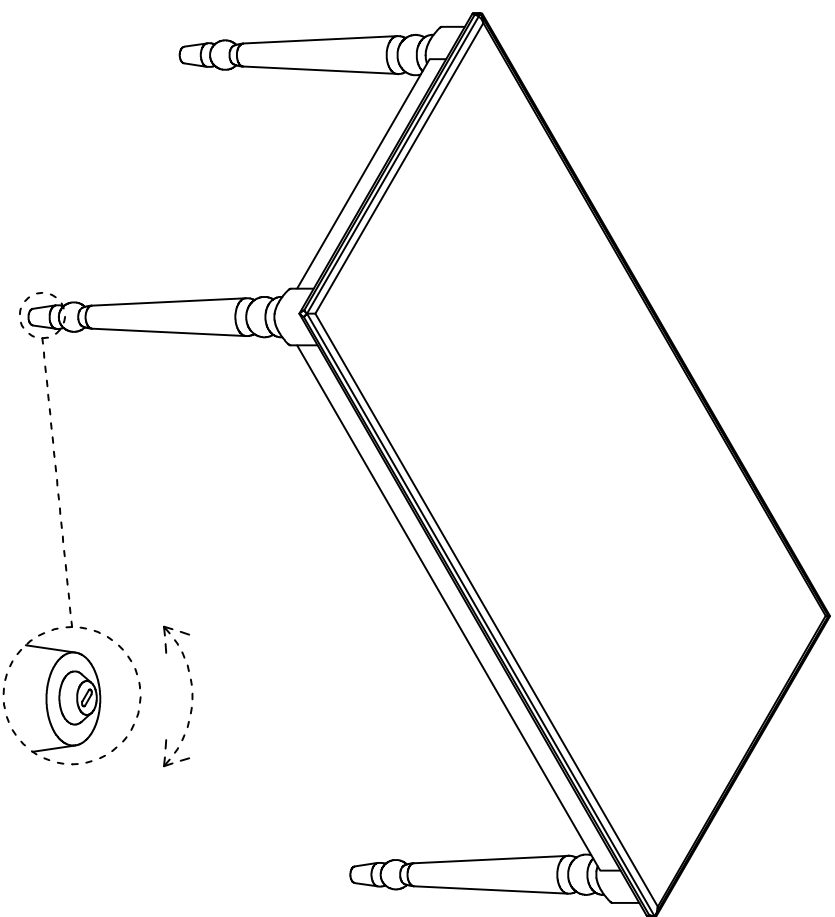


### Step 1







- During assembly, hand tighten bolts only.  
When the bolts are in place, tighten completely.  
Please DO NOT use power tool such as drill or electric screwdrivers  
which could cause irreparable damage to the product.

### Step 2



Please use the adjustable knobs to level the table

Parts List	A	8 Pcs	B	8 Pcs	C	8 Pcs	D	1 Pc
								
	Bolt M10x60mm		Lock washer Ø10		Washer Ø10/Ø20		Allen key	